

Product data

DMX RDM Track Driver RGBW

DMX RGBW Dim 3 phase 6 wire Constant Current LED Driver

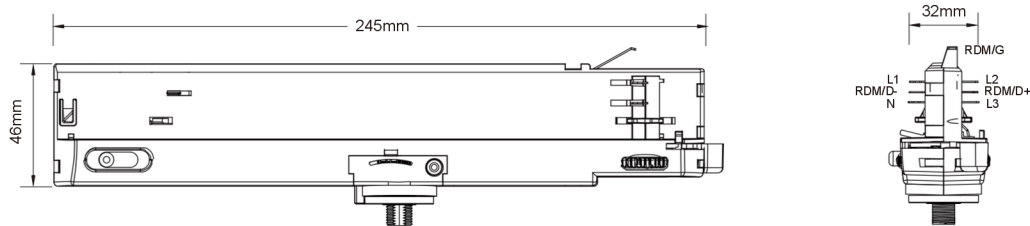


Features

- Built-in Track Adaptor
- 100% output when no dimming signal input
- Built-in Track Adaptor
- Dimming effect smooth, no flicker
- Power Factor Corrected (>0.9)
- Compatible with Brand Tracks, refer to data sheet page 3
- Temperature protection as per EN 61347-2-13 C5e
- Over-temperature protection
- Over-load protection
- Short-circuit protection
- No-load protection
- Surge protection voltage 1000 V (L to N)
- Casing color: Black / White / Grey



Size



length	245 mm
width	32 mm
height	46 mm
Geometry (l x w x h)	245 x 32 x 46mm
Package size	59 x 25 x 21cm
Quantity	50pcs/ box



Product data

Electrical parameters

Nominal Input Voltage	220 – 240V ^{AC}
Line Current, nominal	0.22A MAX.
Mains Frequency	50/60 Hz
Rated Power factor	> 0.9 (full load) @ 230V
Power Loss in no load condition	<0.5W
Protection Class	II
Output Current	Max W280mA RGB140mA
Output voltage	20–40V ^{DC}
(Remark)	Maximum < 50V ^{DC}
Output Power	Maximum 30W
Output Channel	1 CH / 2 CH
No-load proof	Yes
Short circuit protection	Automatic, reversible
Overload protection	Automatic, reversible
Over temperature protection	Automatic, reversible
Ambient temperature range, t ^a	-20 °C to +45 °C
Max. case temperature at t ^c point	75 °C
Dimming Type	RGBW
ECG Lifetime (Remark)	50,000h or 5 years Fail rate < 3‰ at use of Under normal conditions
Cable cross section input side & output side	0.5-2.5mm
(Remark)	Solid and flexible
Wire preparation length Input side & output side	7-8 mm
Safety Standard	IEC 61347-1:2015 ; IEC 61347-1:2015/AMD1:2017 ; IEC 61347-2-13:2014 ; IEC 61347-2-13:2014/AMD1:2016
Radio interference EMC Launch EMC immunity	EN IEC 55015:2019 ; EN IEC 55015:2019/A11:2020 EN 61547:2009 ; EN IEC 61000-3-2:2019/A1:2021 EN 61000-3-3:2013/A2:2021
Surge capability	L-N:1000V
Galvanic isolation primary/secondary	3.75 kVrms SELV-equivalent

Wiring guidelines

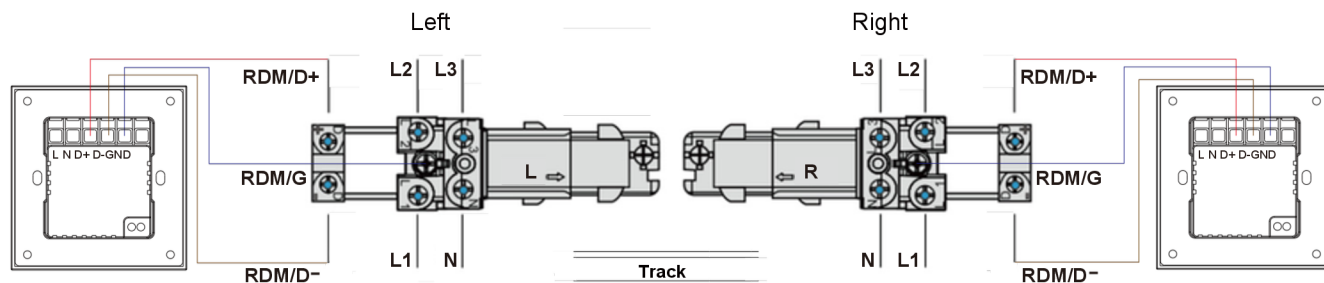
- All connections must be kept as short as possible to ensure good EMI behaviour
- Max. length of output wires is 20 cm
- Secondary switching is not permitted
- Incorrect wiring can damage LED Driver
- It is not allowed to exceed the max ambient temperature (ta) stated on the device
- To avoid the damage of the Driver, the wiring must be protected against short circuits to earth (sharp edged metal parts, metal cable clips, louver, etc.)



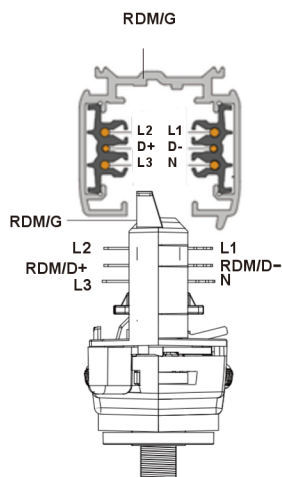
Product data

6 wire DMX/RDM track adapter installations:

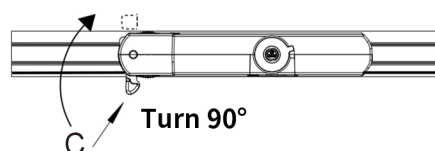
1. Confirm direction of the L/R connector;



2. Insert the track adapter into the track, match the position of the track bar N/L and the signal location;



3. Turn the push rod 90° in the direction until be locked (follows figure C);

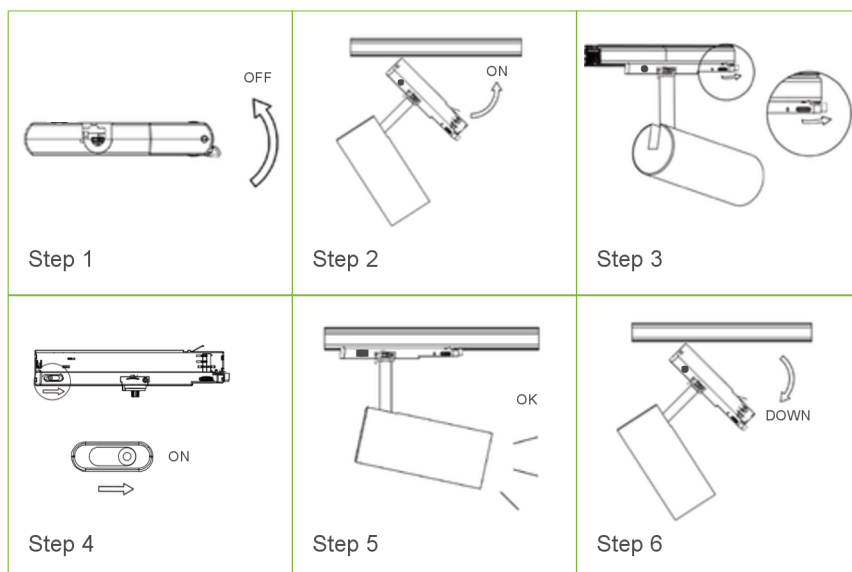


Note: Please check the laser carefully before power on for avoiding to damage products.



Product data

Mounting luminaire



Model List

Model	Input Voltage(V)	Output current(mA)	Output Voltage(V)	PF	Efficiency	Flicker	Size(L x W x H)
30w	220-240V	W200mA RGB100mA	20-40V	>0.9	85%	Flicker-Free	245 x 32 x 46mm
30w	220-240V	W280mA RGB140mA	20-40V	>0.9	85%	Flicker-Free	245 x 32 x 46mm

