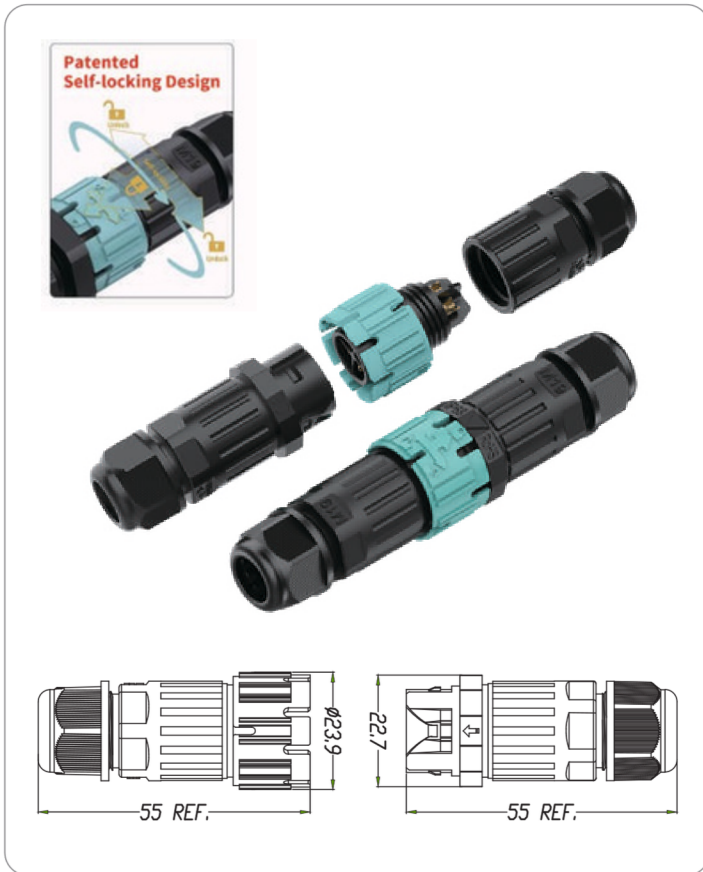


## IP68 Waterproof Connector



### Options

Number of Poles	 2Pin	 3Pin	 4Pin	 5Pin
Seal ring				
Cable range	3.5~7mm		7~10mm	
Stripping length	6~7mm			

Male & Female Self-locking Connector  
(X = number of poles X = 2/3/4 or 5)

Wiring methods:

Solder wiring: Suitable for 2/3/4/5 pins

C-19-S-XP-M/C-19-S-XP-F

Screw wiring: Suitable for 2/3/4/5 pins

C-19-V-XP-M/C-19-V-XP-F

Housing Material: PA66

Seal Ring Material: Silicone Rubber

Terminal Material: Copper alloy

IP Rating: IP68

Fire Rating: UL94 V-0

Rated Voltage: 450V

Rated Current: 2/3Pin: 20A; 4/5Pin: 16A

Wire Section: 2/3Pin: 0.5~2.5mm<sup>2</sup>; 4/5Pin: 0.5~1.5mm<sup>2</sup>

Outer Cable Diameter: 3.5-7mm, 7-10 mm

Pluggable Life: 1,500 times

Ambient Temperature: -40°C~105°C

Warranty: 3 Years

### Packaging

Export Carton (L\*W\*H): 42\*30\*26cm

Quantity: 100pcs / PE PACK (Male & Female packed separately)  
500pcs / CTN

Gross Weight: C-19-S-XP-MF/ C-19-V-XP-MF -2P --- 17.5KGs

C-19-S-XP-MF/ C-19-V-XP-MF -3P --- 18KGs

C-19-S-XP-MF/ C-19-V-XP-MF -4P --- 18.5KGs



### Installation Illustration

