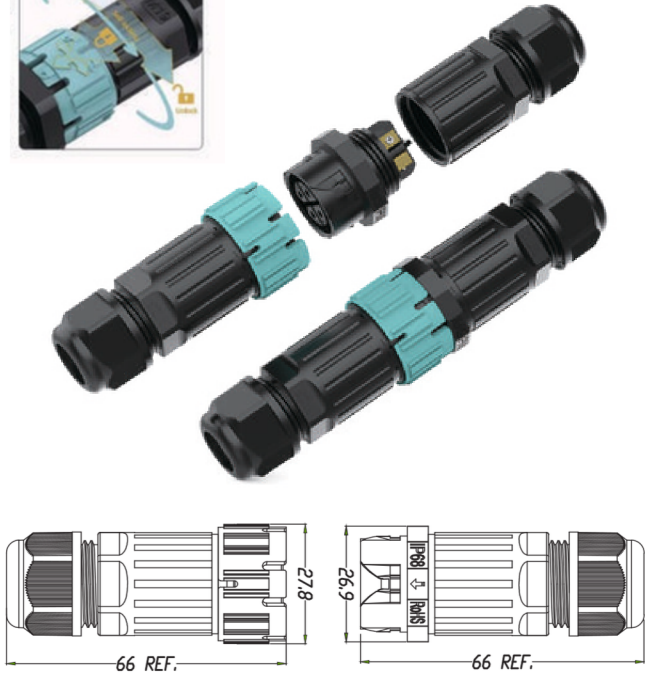


IP68 Waterproof Connector



Male & Female Self-locking Connector
(X = number of poles X = 2 or 3)

Wiring Method:

Solder wiring: Suitable for 2/3/4/5 pins

C-23-S-XP-M/C-23-S-XP-F

Screw wiring: Suitable for 2/3/4/5 pins

C-23-V-XP-M/C-23-V-XP-F

Housing Material: PA66

Seal Ring Material: Silicone Rubber

Terminal Material: Copper alloy

IP Rating: IP68

Fire Rating: UL94 V-0

Rated Voltage: 450V

Rated Current: 2/3Pin: 30A; 4/5Pin: 16A

Wire Section 2/3Pin: 0.5~4mm²; 4/5Pin: 0.5~2.5mm²

Outer Cable Diameter: 5-9mm, 9-12mm

Pluggable Life: 1,500 times 0

Ambient Temperature: -40°C~105°C

Warranty: 3 Years

Options

Number of Poles	2Pin	3Pin	4Pin	5Pin
Seal ring				
Cable range	5~9mm		9~12mm	
Stripping length	6~8mm			

Packaging

Export Carton (L*W*H): 42*30*34cm

Quantity: 50pcs / PE PACK (Male & Female packed separately)
300 sets / CTN

Gross Weight: C-23-S-XP-MF/C-23-V-XP-MF -3P --- 17KGs

C-23-S-XP-MF/C-23-V-XP-MF -4P --- 17.5KGs

C-23-S-XP-MF/C-23-V-XP-MF -5P --- 19KGs



Installation Illustration

