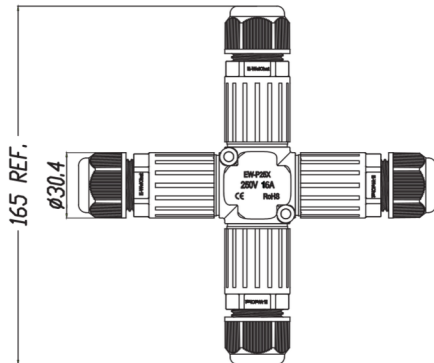


IP68 Waterproof Connector



PX-25-W-3P

Wiring Method:

Screwless fast wiring

Housing Material: PA66

Seal Ring Material: Silicone Rubber

Terminal Material: Copper alloy

IP Rating: IP68

Fire Rating: UL94 V-0

Rated Voltage: 250V

Rated Current: 16A

Wire Section: 0.5~2.5mm²

Outer Cable Diameter: 5-9mm, 9-12mm, 10-14mm

Ambient Temperature: -40°C~105°C

Warranty: 3 Years

Packaging

Export Carton (L*W*H): 42*30*34cm

Quantity: 10pcs / PE PACK

100 pcs / CTN

Gross Weight: 12KGs

Options

Number of Poles	 3Pin		
Seal ring			
Cable range	5~9mm	9~12mm	10~14mm
Stripping length	8~12 mm		



Installation Illustration

