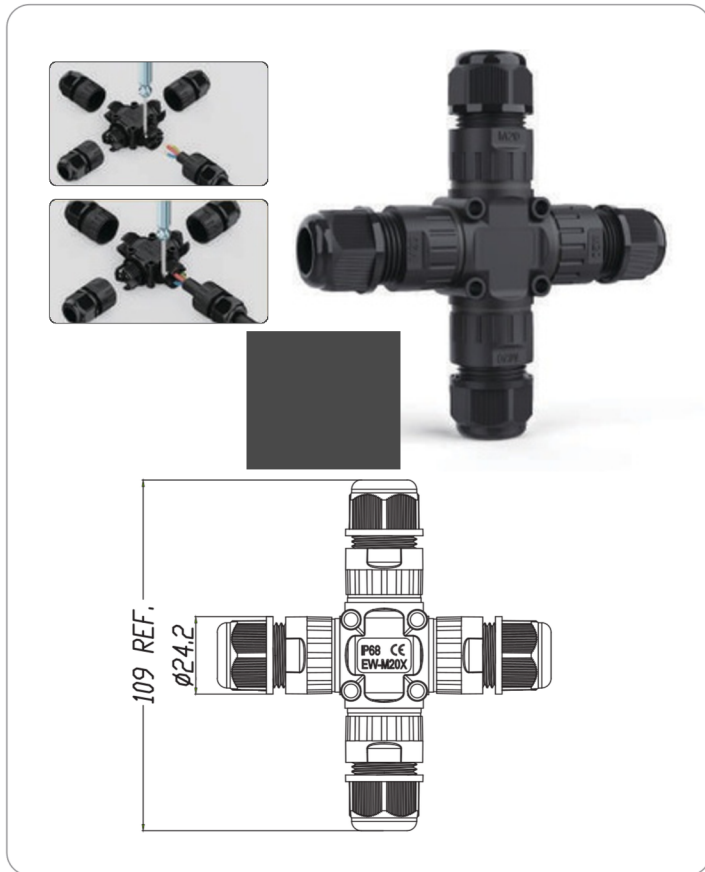


## IP68 Waterproof Connector



### PX-20-V-XP

(X = number of poles X = 2 or 3)

Wiring Method:

Screw wiring

Housing Material: PA66

Seal Ring Material: Silicone Rubber

Terminal Material: Copper alloy

IP Rating: IP68

Fire Rating: UL94 V-0

Rated Voltage: 450V

Rated Current: 24A

Wire Section: 0.5~2.5mm<sup>2</sup>

Outer Cable Diameter: 5-9mm, 9-12mm

Ambient Temperature: -40°C~105°C

Warranty: 3 Years

### Packaging

Export Carton (L\*W\*H): 42\*30\*34cm

Quantity: 20pcs / PE PACK

200pcs / CTN

Gross Weight: PX-20-V-XP-2P --- 17.5KGs

PX-20-V-XP-3P --- 18.2KGs

### Options

Number of Poles	 2Pin	 3Pin
Seal ring		
Cable range	5~9mm	9~12mm
Stripping length	6~8 mm	



### Installation Illustration

