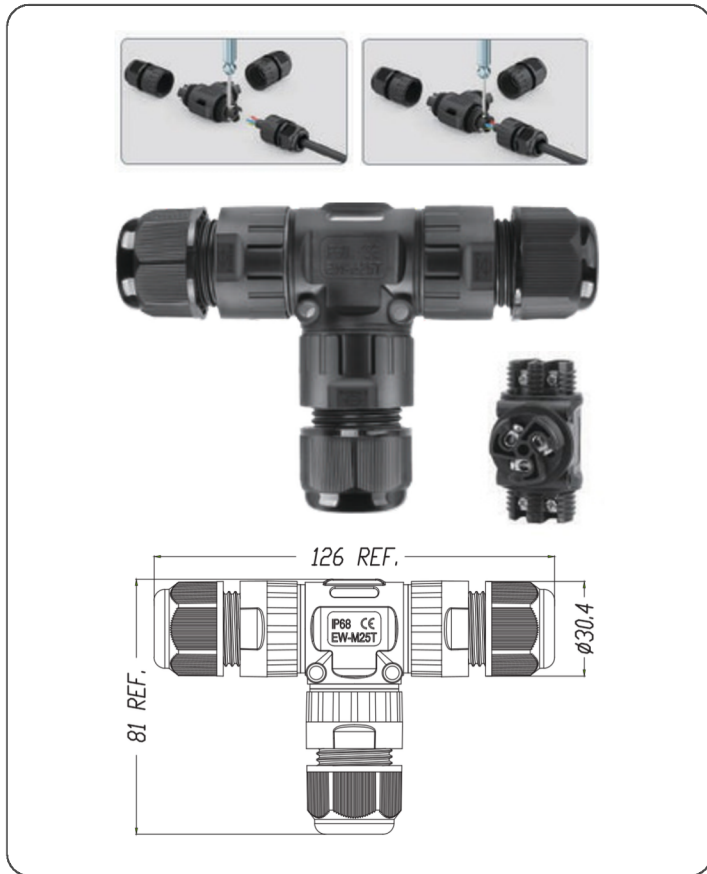


## IP68 Waterproof Connector



### PT-25-V-XP

(X = number of poles X = 2 or 3)

**Wiring Method:**

Screw wiring

**Housing Material:** PA66

**Seal Ring Material:** Silicone Rubber

**Terminal Material:** Copper alloy

**IP Rating:** IP68

**Fire Rating:** UL94 V-0

**Rated Voltage:** 450V

**Rated Current:** 41A

**Wire Section:** 0.5~6mm<sup>2</sup>

**Outer Cable Diameter:** 5-9mm, 9-12mm, 10-14mm

**Ambient Temperature:** -40°C~105°C

**Warranty:** 3 Years

### Packaging

**Export Carton (L\*W\*H):** 42\*30\*26cm

**Quantity:** 10pcs / PE PACK

100pcs / CTN

**Gross Weight:** PT-25-V-XP-2P --- 11.5KGs

PT-25-V-XP-3P --- 12KGs

### Options

Number of Poles	 2Pin	 3Pin	
Seal ring			
Cable range	5~9mm	9~12mm	10~14mm
Stripping length	8~10 mm		



### Installation Illustration

