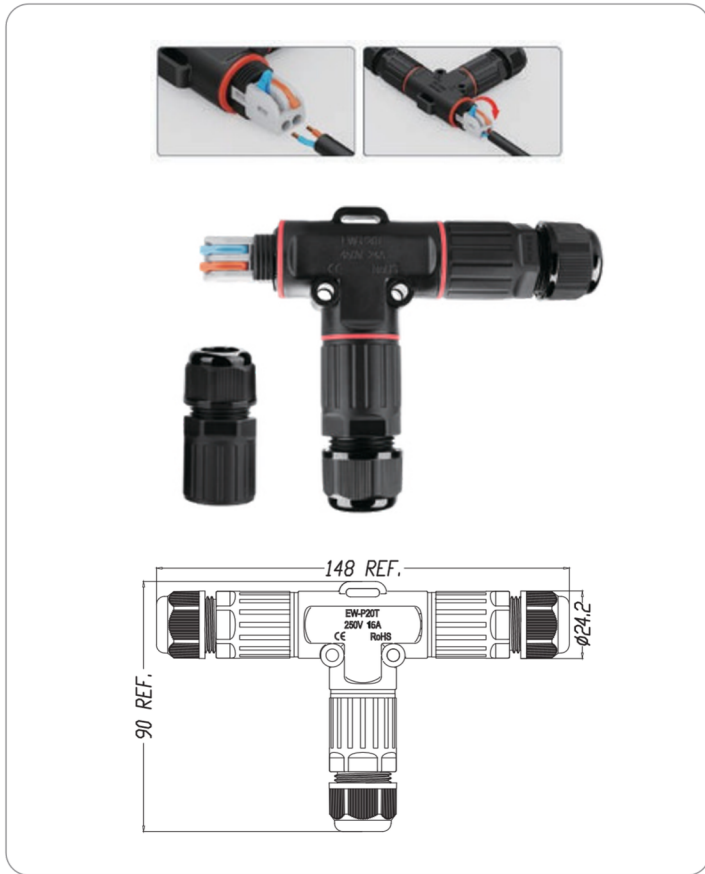


## IP68 Waterproof Connector



### PT-20-W-2P

**Wiring Method:**

Screwless fast wiring

**Housing Material:** PA66

**Seal Ring Material:** Silicone Rubber

**Terminal Material:** Copper alloy

**IP Rating:** IP68

**Fire Rating:** UL94 V-0

**Rated Voltage:** 250V

**Rated Current:** 16A

**Wire Section:** 0.5~1.5mm<sup>2</sup>

**Outer Cable Diameter:** 5-9mm, 9-12mm

**Ambient Temperature:** -40°C~105°C

**Warranty:** 3 Years

### Packaging

Export Carton (L\*W\*H): 42\*30\*34cm

Quantity: 25pcs / PE PACK

250pcs / CTN

Gross Weight: 15.0KGs

### Options

Number of Poles	 2Pin	
Seal ring		
Cable range	5~9mm	9~12mm
Stripping length	8~12 mm	



### Installation Illustration

