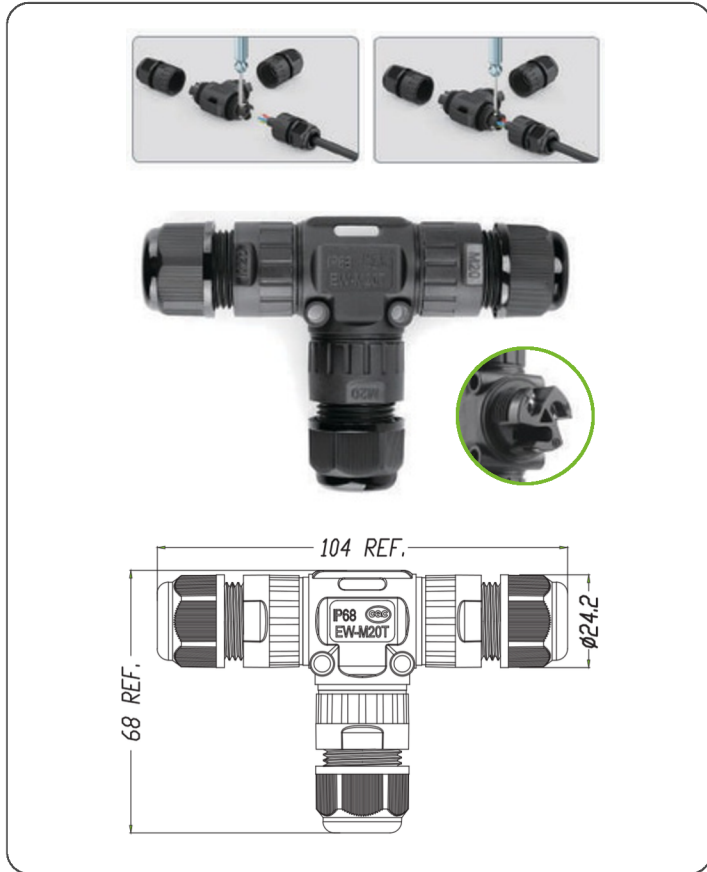


IP68 Waterproof Connector



Options

Number of Poles	 2Pin	 3Pin	 4Pin
Seal ring			
Cable range	5~9mm	9~12mm	
Stripping length	6~8 mm		

PT-20-V-XP

(X = number of poles X = 2 or 3)

Wiring methods:

Screw wiring

Housing Material: PA66

Seal Ring Material: Silicone Rubber

Terminal Material: Copper alloy

IP Rating: IP68

Fire Rating: UL94 V-0

Rated Voltage: 400V

Rated Current: 24A

Wire Section: 0.5~2.5mm²

Outer Cable Diameter: 5-9mm, 9-12mm

Ambient Temperature: -40°C~105°C

Warranty: 3 Years

Packaging

Export Carton (L*W*H): 42*30*34cm

Quantity: 25pcs / PE PACK

250pcs / CTN

Gross Weight: PT-20-V-XP-2P --- 17.3KGs

PT-20-V-XP-3P --- 18KGs

PT-20-V-XP-4P --- 19KGs



Installation Illustration

