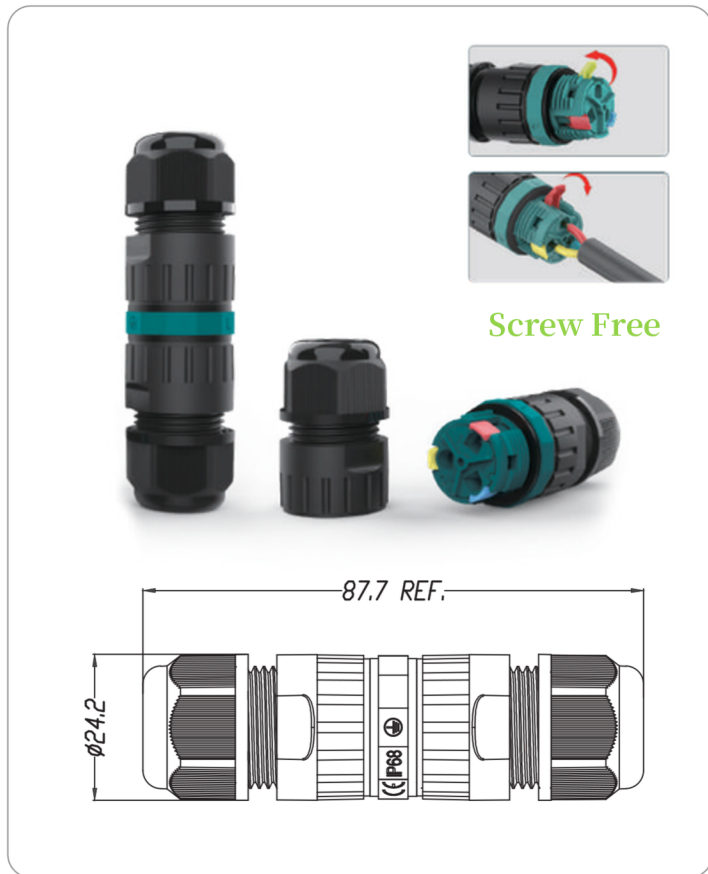


IP68 Waterproof Connector



Screw Free

P-20-R-XP

(X = number of poles X = 2 or 3)

Wiring Method:

Screwless fast wiring

Housing Material: PA66

Seal Ring Material: Silicone Rubber

Terminal Material: Copper alloy

IP Rating: IP68

Fire Rating: UL94 V-0

Rated Voltage: 450V

Rated Current: 16A

Wire Section: 0.5~2.5mm²

Outer Cable Diameter: 5-9mm, 9-12mm

Ambient Temperature: -40°C~105°C

Warranty: 3 Years

Packaging

Export Carton (L*W*H): 42*30*26cm

Quantity: 50pcs / PE PACK
500pcs / CTN

Gross Weight: P-20-R-XP-2P --- 13.5KGs
P-20-R-XP-3P --- 13.8KGs

Options

Number of Poles	 2Pin	 3Pin
Seal ring		
Cable range	5~9mm	9~12mm
Stripping length	10~12 mm	



Installation Illustration

