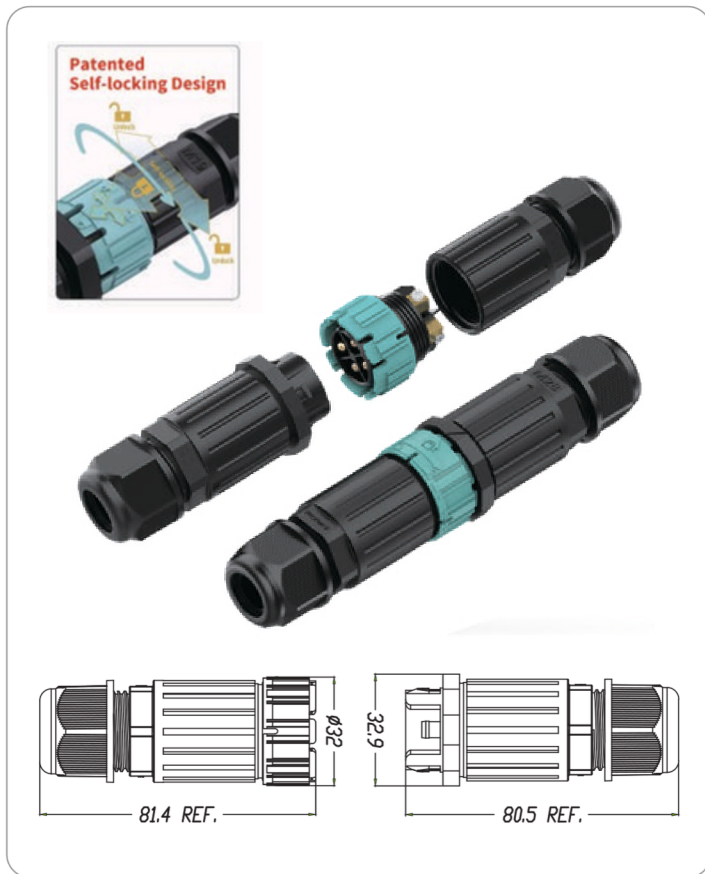


IP68 Waterproof Connector



Male & Female Self-locking Connector
(X = number of poles X = 2/3/4/5 or 6)

Wiring Method:

Solder wiring: Suitable for 2/3/4/5/6 pins

C-28-S-XP-M/C-28-S-XP-F

Screw wiring: Suitable for 2/3/4/5/6 pins

C-28-V-XP-M/C-28-V-XP-F

Housing Material: PA66

Seal Ring Material: Silicone

Rubber Terminal Material: Copper alloy

IP Rating: IP68

Fire Rating: UL94 V-0 Rated

Voltage: 450V

Rated Current: 2-4Pin: 50A; 5/6Pin: 20A

Wire Section: 2-4Pin: 0.5~6mm²; 5/6Pin: 0.5~2.5mm²

Outer Cable Diameter: 5-9mm, 9-12mm, 10-14mm

Pluggable Life: 1,500 times

Ambient Temperature: -40°C~105°C

Warranty: 3 Years

Options

Number of Poles	2Pin	3Pin	4Pin	5Pin	6Pin
Seal ring					
Cable range	5~9mm	9~12mm	10~14mm		
Stripping length	6~8mm				

Packaging

Export Carton (L*W*H): 42*30*34cm

Quantity: 25pcs / PE PACK (Male & Female packed separately)
200 sets / CTN

Gross Weight: C-28-S-XP-MF/C-28-V-XP-MF -3P --- 16.5KGs

C-28-S-XP-MF/C-28-V-XP-MF -4P --- 17KGs

C-28-S-XP-MF/C-28-V-XP-MF -5P --- 18KGs



Installation Illustration

