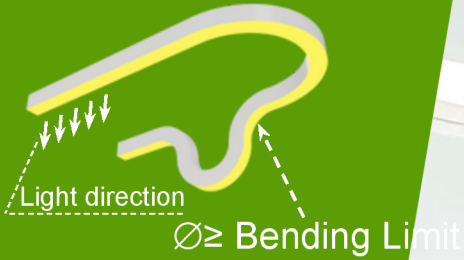


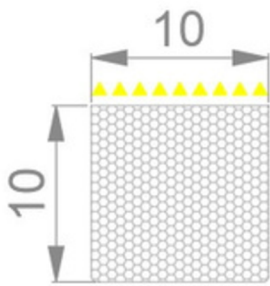
# NEON 1010 3D

W: 10mm  
x  
H: 10mm

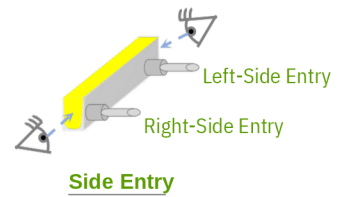
## 3D Bending



## Cross Section



## End Processing



Type 1 :  
Injection molding

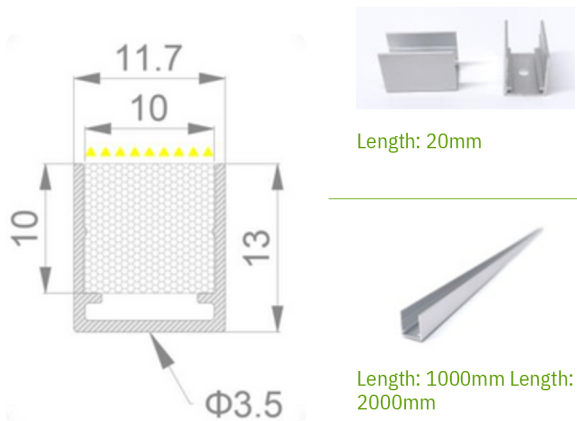


Type 2 :  
Cap sealed by silicon glue



## Mounting Accessory

### Aluminum Channel

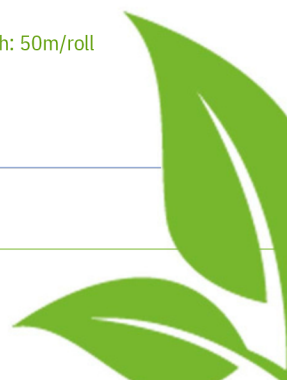


### Stainless Steel Channel

#### Clip



#### 3D bending



### NEON 1010 3D - Mono White

※ 1800K, 2200K, 2500K, 5000K available

Item Code	CRI	Power /m	2700K	3000K	4000K	6500K	Max-Load @Single feed	Input	Cut-unit	Bending Limit VB	IP Rate
	Ra≥90	5 W	375 lm	403 lm	423 lm	419 lm	6 m	DC24V	55.6mm	Ø≥200mm HB Ø≥200mm	IP67
	Ra≥90	10 W	750 lm	807 lm	847 lm	839 lm	4 m	DC24V	55.6mm	VB Ø≥200mm HB Ø≥200mm	IP67
	Ra≥90	10 W	858 lm	923 lm	969 lm	960 lm	4 m	DC24V	55.6mm	VB Ø≥200mm HB Ø≥200mm	IP67

