

# MOONS' LED Driver Catalog

## Lighting in Better Ways

# CONTENTS

## 1 About MOONS'

Since 1994

P1 Globally Renowned  
LED Driver & Intelligent Lighting Control Supplier

## 2 Intelligent LED Drivers

0.1% deep dimming · Bringing Natural Light Within Reach

### DAI Series

- New** P7 1-channel LED Drivers
- P23 2-channel LED Drivers
- P41 4-channel LED Drivers
- New** P49 16-channel LED Drivers

### DMX(RDM) Series

- New** P53 1-channel LED Drivers
- P59 2-channel LED Drivers
- P69 4-channel LED Drivers
- P79 5-channel LED Drivers

### 0-10V Series

- New** P81 1-channel LED Drivers
- P87 2-channel LED Drivers
- P97 4-channel LED Drivers

### Phase-cut + 0-10V Series

- New** P99 1-channel LED Drivers

### Bluetooth Series

- P105 2-channel LED Drivers
- P107 4-channel LED Drivers

## 3 Explosion-proof LED Drivers

The Safety Lighting Star in Hazardous Environments

P111 **0-10V Series** P113 **DAI Series**

P115 **Non-dimmable Series**

## 4 Emergency LED Drivers

Reliable Power · When It Matters Most

### Emergency Series

P119 25/30W EM LED Drivers

## 5 Sports Lighting LED Drivers

Fast and Steady · Star of Professional Sports Lighting

### DAI & DMX(RDM) Series

P123 1200W 2-channel / 1800W 3-channel LED Drivers



# About MOONS'

*As one of China's leading manufacturers of LED drivers and intelligent lighting control products, MOONS' is shaping the future of lighting with innovation, reliability, and design excellence.*

**1994**

Founded in

**Shanghai · China**

Headquarters in

**3500+**

Employees

At the core of our offering are **intelligent LED drivers**, engineered to unlock advanced dimming performance, **tunable white**, and **dynamic lighting effects**. From human-centric lighting to commercial, office, residential, hospitality, art, and architectural projects, our intelligent drivers empower designers and end users to create lighting that is not only efficient but also inspiring.

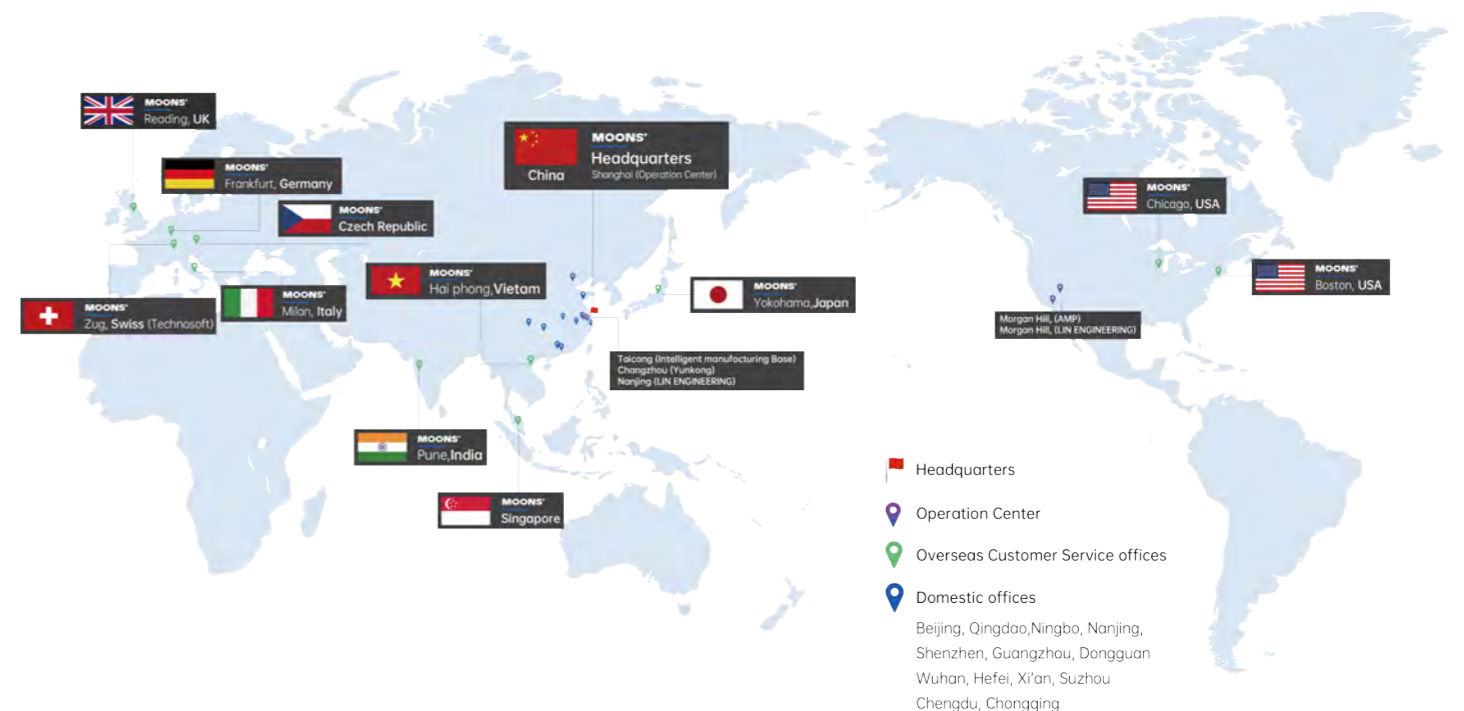
Building on this strength, MOONS' also offers **explosion-proof LED drivers**, delivering proven safety and durability for hazardous environments, and **sports LED drivers**, designed for the uncompromising demands of stadiums and large-scale venues.

With world-class R&D, global manufacturing, and responsive technical support, MOONS' is committed to providing lighting solutions that are high-quality, adaptable, and future-ready.

## MOONS' has a comprehensive global service network

With its headquarters in Shanghai, China, and an advanced intelligent manufacturing base in Taicang, MOONS' combines strong local capabilities with a truly global reach. We have subsidiaries in the United States, the United Kingdom, Italy, Germany, Switzerland, the Czech Republic, Singapore, Japan, India, and Vietnam—covering key markets across North America, Europe, and Asia.

In China, we operate offices in major cities including Beijing, Guangzhou, Shenzhen, and Suzhou, where professional sales and technical support teams deliver fast, reliable, and customer-focused service. This worldwide presence ensures that MOONS' customers everywhere benefit from consistent quality, timely support, and innovative lighting solutions.



# Overview


## Intelligent LED Drivers

0.1% deep dimming · Bringing Natural Light Within Reach

Pioneering advancements in dimming, flicker reduction, and superior lighting, MOONS' LED drivers play a crucial role in the evolution of the lighting industry. Our objectives are to simplify processes, guarantee reliability, and enable sophisticated, well-lit environments. By driving innovation, we aim to shape the future of human-centric lighting and spectrum management.

This selection guide provides a concise overview of our product offerings, including detailed descriptions of each driver family and a matrix to help you identify the perfect MOONS' LED driver for your specific application.

0.1%

Dimming  
Depth 

2<sup>16</sup>

Dimming   
Resolution



Quick >>>  
Response



High Consistency &  
Synchronization

Flicker Free

CEC title 24 JA10 /  
IEEE PAR 1789-2015

Dimming  
Control



### More Information

<https://www.moonsindustries.com/c/intelligent-drivers-a1102>

1

Channel Series Application  
Single Color

Dimming Control  
DALI-2/DMX(RDM)/0-10V/Phase-cut New

Power Range  
12/15/20/30/50/75W

2

Channels Series Application  
Tunable White

Dimming Control  
DALI-2/0-10V/DMX(RDM)/Bluetooth

Power Range  
20/30/50/75/200W

4

Channels Series Application  
Color Tuning

Dimming Control  
DALI-2/DMX(RDM)/0-10V/Bluetooth

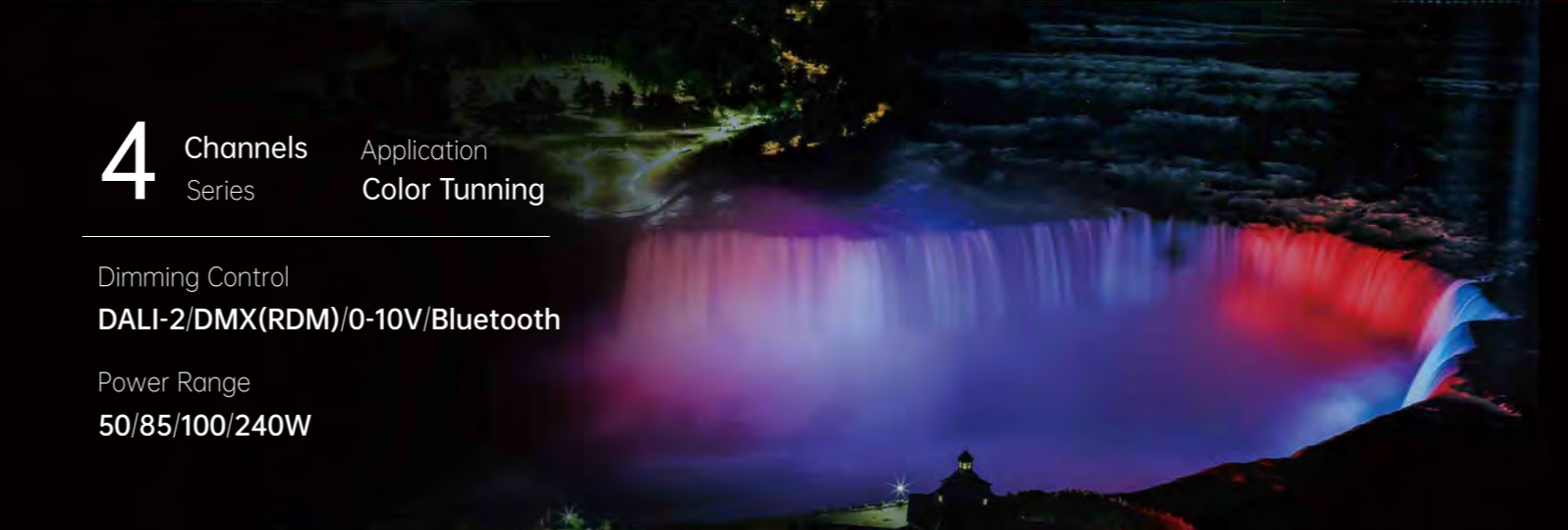
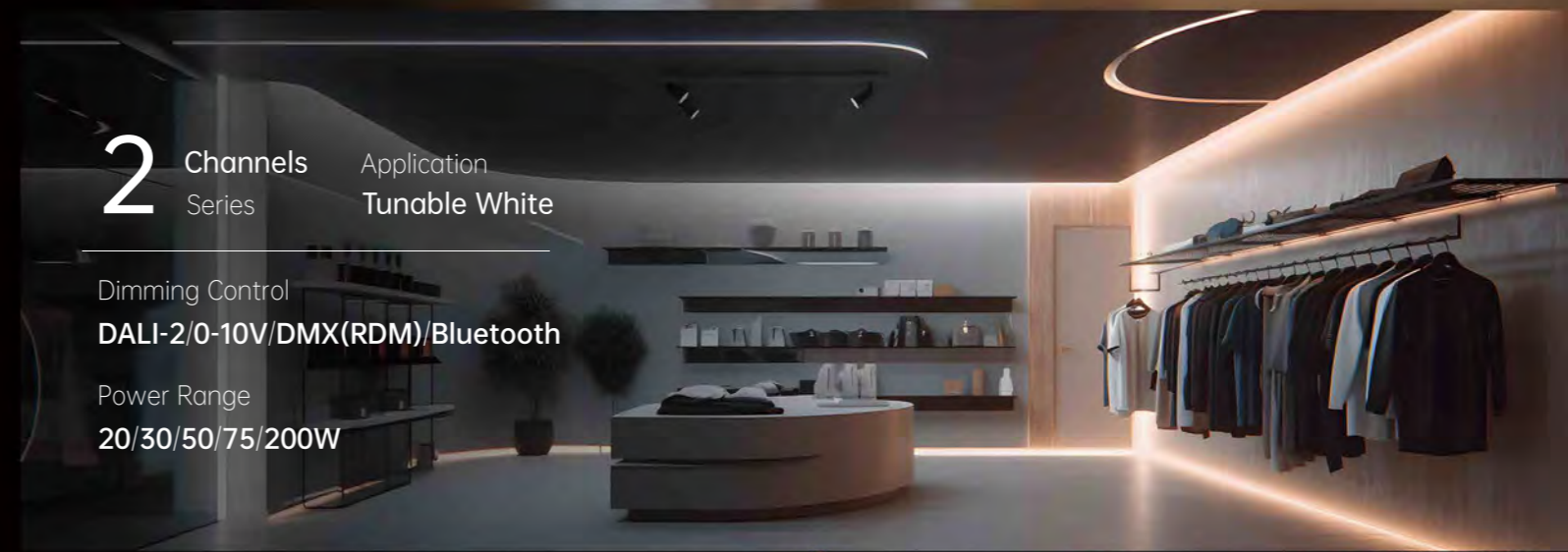
Power Range  
50/85/100/240W

## Others

5CH DMX(RDM) 240W series

16CH DALI-2 340W & 960W Series New

Customized Type ★



# Intelligent LED Drivers Family Intro.

## DALI Series

### 1 / 2 / 4 / 16 Channels

- Deep dimming-dim to 0.1%
- Constant current or constant voltage
- Dimming, Tunable White, Color Tuning, D4i applications
- Logarithm or linear optional dimming curve
- NFC technology programming function
- DALI interface for firmware upgrade and programming
- Power levels from 12W to 960W



## 0-10V + Phase-cut Series

### 1 / 2 / 4 Channels

- Deep dimming-dim to 0.1%
- Constant current
- Dimming, Tunable White applications
- Logarithm or linear optional dimming curve
- NFC technology programming function
- MCS interface for firmware upgrade and programming
- Power levels from 12W to 35W (0-10V+Phase-Cut / Phase-cut only)
- Power levels from 50W to 100W (0-10V only)



## DMX(RDM) Series

### 1 / 2 / 4 / 5 Channels

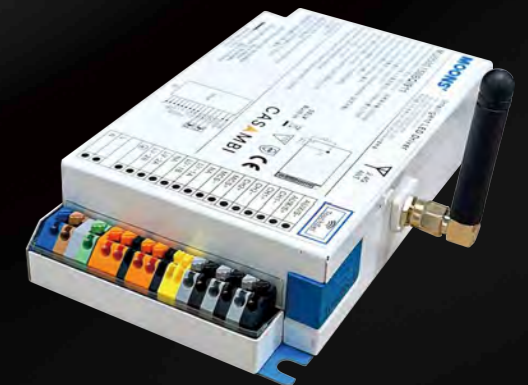
- Deep dimming-dim to 0.1%
- Constant current
- Dimming, Tunable White, Color Tuning applications
- Logarithm, linear, square or gamma2.2 optional dimming curve
- NFC technology programming function
- DMX interface for firmware upgrade and programming
- Power levels from 20W to 240W



## Bluetooth Series

### 2 / 4 Channels

- Deep dimming-dim to 0.1%
- Constant current
- Dimming, Tunable White, Color Tuning applications
- Integrated with Casambi module
- NFC technology programming function
- Power levels for 50W

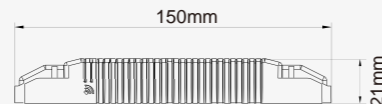


DALI-2 Stick form factor

## 12/20/30W 1CH Series



### Mechanical Drawings



PU012S070AQI350 / PU012S105AQI350

### Key features

**CC** Driver Type  
Dimmable constant current LED driver

**Optional Dimming Curve**  
Logarithm or linear

**IEC** IEC62386  
Part 101,102,207 2.0 version

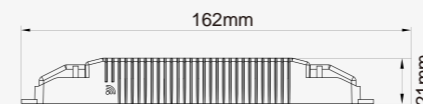
**Warranty**  
5 years

**Dimming Range**  
0.1%–100% dimming range with DALI-2 / PWM (including 0% off)

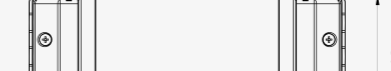
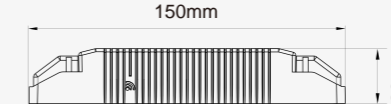
**Flickers Free**  
Meet CEC title 24 JA10/ IEEE PAR 1789-2015

**NFC** NFC technology to program the driver  
Configurable for CC or CV load

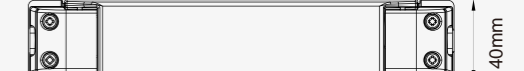
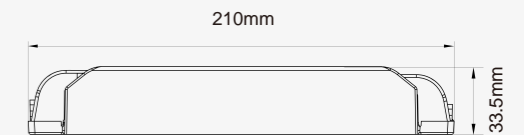
**IP Rating**  
IP20 design



PU012S070AQI300 / PU012S105AQI300



PU020S105AQI350



PU030S150AQI350

### Certifications

Product Model	CE	ENEC	PSE	CCC
PU012S070AQI350	●	●	●	●
PU012S070AQI300	●	●	●	●
PU012S105AQI350	●	●	●	●
PU012S105AQI300	●	●	●	●
PU020S105AQI350	●	●	●	●
PU030S150AQI350	●	●	●	●

### Electrical Specifications

Product Model	Power (W)	Input Range (VAC)	Output Range (mA)	Vout Range (VDC)	DALI-2	Form Factor	Dimensions (mm)
PU012S070AQI350	12	100~277	150-700	8-50	●	Stick	150*30*21
PU012S070AQI300	12	100~277	150-700	8-50	●	Stick	162*30*21
PU012S105AQI350	12	100~277	200-1050	2.5-15	●	Stick	150*30*21
PU012S105AQI300	12	100~277	200-1050	2.5-15	●	Stick	162*30*21
PU020S105AQI350	20	100~277	150-1050	8-54	●	Stick	150*43*26
PU030S150AQI350	30	100~277	100-1500	8-54	●	Stick	210*40*33.5

Ideal for office, retail, hospitality.

DALI-2 Bracket form factor

# 15W 1CH Series



## Key features

- CC** **Driver Type**  
Dimmable constant current LED driver
- Dimming Range**  
0.01%–100% dimming range with DALI-2 / PWM (including 0% off)
- Optional Dimming Curve**  
Logarithm or linear
- Flickers Free**  
Meet CEC title 24 JA10/ IEEE PAR 1789-2015
- IEC** **IEC62386**  
Part 101,102,207 2.0 version
- NFC** **NFC technology to program the driver**  
Configurable for CC or CV load
- Warranty**  
5 years
- IP Rating**  
IP20 design

## Mechanical Drawings



## Certifications

Product Model	PSE
MU015S070AQI370	●
MU015S105AQI370	●

## Electrical Specifications

Product Model	Power (W)	Input Range (VAC)	Output Range (mA)	Vout Range (VDC)	DALI-2	Form Factor	Dimensions (mm)
MU015S070AQI370	15	100~240	200-700	12-50	●	Bracket	233*32*31.5
MU015S105AQI370	15	100~240	200-1050	2.5-15	●	Bracket	233*32*31.5

Ideal for  
Hotel, office, retail, commercial.

Popular in Japanese market











DALI-2 Ultra-compact form factor

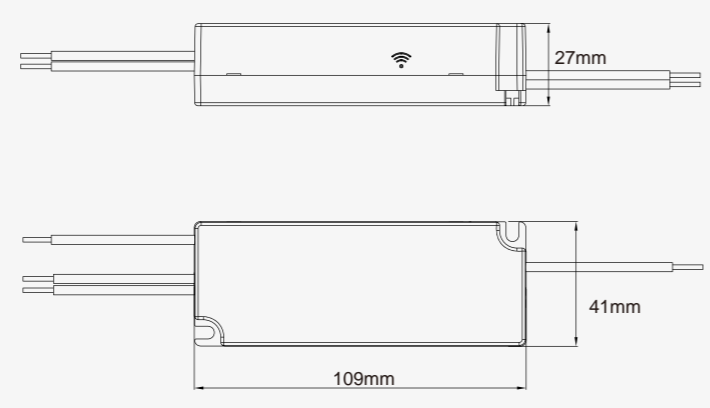
# 20W 1CH Series



## Key features

-  **Driver Type**  
Dimmable constant current LED driver
-  **Dimming Range**  
0.1%–100% dimming range with DALI-2 (including 0% off)
-  **Optional Dimming Curve**  
Logarithm or linear
-  **Flickers Free**  
Meet CEC title 24 JA10/ IEEE PAR 1789-2015
-  **IEC62386**  
Part 101,102,207,250,251,252,253 2.0 version
-  **NFC technology**  
to program the driver
-  **Warranty**  
5 years
-  **IP Rating**  
IP20 design

## Mechanical Drawings



## Certifications

Product Model	UL/cUL
PU020S105AQI3920	Class P

## Electrical Specifications

Product Model	Power (W)	Input Range (VAC)	Output Range (mA)	Vout Range (VDC)	DALI-2	D4i	Form Factor	Dimensions (mm)
PU020S105AQI3920	20	100~277	150-1050	8-54	●	●	Ultra-Compact	109*41*27

Ideal for office, retail, hospitality.



Ideal for office, retail, hospitality.

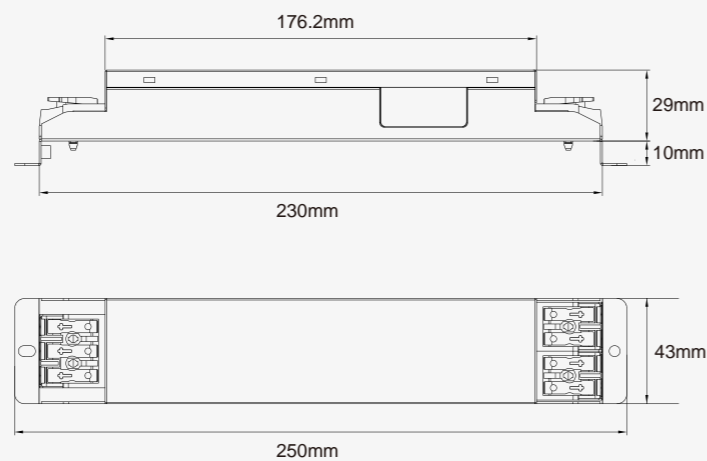
Popular in Japanese market

DALI-2 Bracket form factor

# 30W 1CH Series



## Mechanical Drawings



## Certifications

Product Model	PSE
MU030S150AQI370	●

## Key features

- CC** Driver Type  
Dimmable constant current LED driver
- Dimming Range**  
0.1%–100% dimming range with DALI-2 / PWM (including 0% off)
- Optional Dimming Curve**  
Logarithm or linear
- Flickers Free**  
Meet CEC title 24 JA10/ IEEE PAR 1789-2015
- IEC** IEC62386  
Part 101,102,207 2.0 version
- NFC** NFC technology to program the driver  
Configurable for CC or CV load
- Warranty**  
5 years
- IP Rating**  
IP20 design

## Electrical Specifications

Product Model	Power (W)	Input Range (VAC)	Output Range (mA)	Vout Range (VDC)	DALI-2	Form Factor	Dimensions (mm)
MU030S150AQI370	30	100~240	100-1500	8-54	●	Bracket	250*43*39



DALI-2 Back feed / Side feed form factor

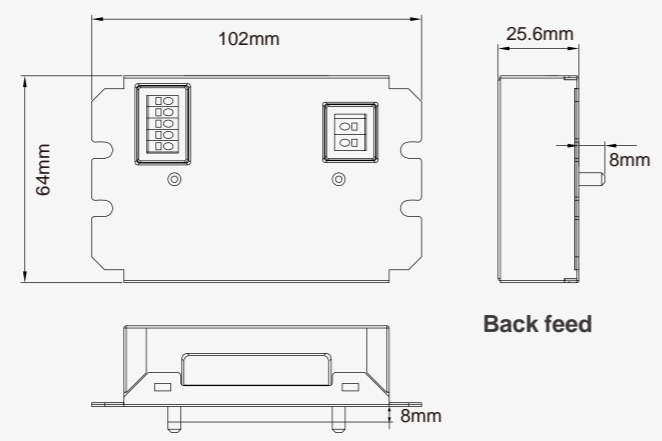
# 30W 1CH Series



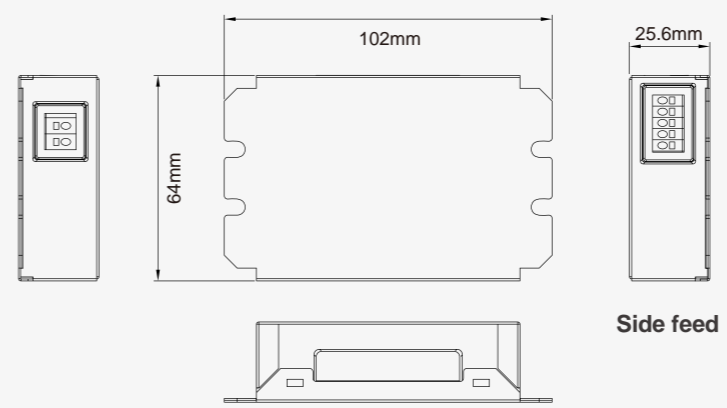
## Key features

- CC** Driver Type  
Dimmable constant current LED driver
- Dimming Range**  
0.1%–100% dimming range with DALI-2 (including 0% off)
- Optional Dimming Curve**  
Logarithm or linear
- Flickers Free**  
Meet CEC title 24 JA10/ IEEE PAR 1789-2015
- IEC IEC62386**  
Part 101,102,207,250,251,252,253 2.0 version
- NFC** NFC technology  
to program the driver
- Warranty**  
5 years
- IP Rating**  
IP20 design

## Mechanical Drawings



Back feed



Side feed

## Certifications

Product Model	UL/cUL
MU030S150AQI3220	Class P
MU030S150AQI3320	Class P

## Electrical Specifications

Product Model	Power (W)	Input Range (VAC)	Output Range (mA)	Vout Range (VDC)	DALI-2	D4i	Form Factor	Dimensions (mm)
MU030S150AQI3220	30	100~277	100-1500	8-54	●	●	Back feed	102*64*33.6
MU030S150AQI3320	30	100~277	100-1500	8-54	●	●	Side feed	102*64*25.6

Ideal for office, retail, hospitality.



DAI-2 Back feed / Side feed form factor

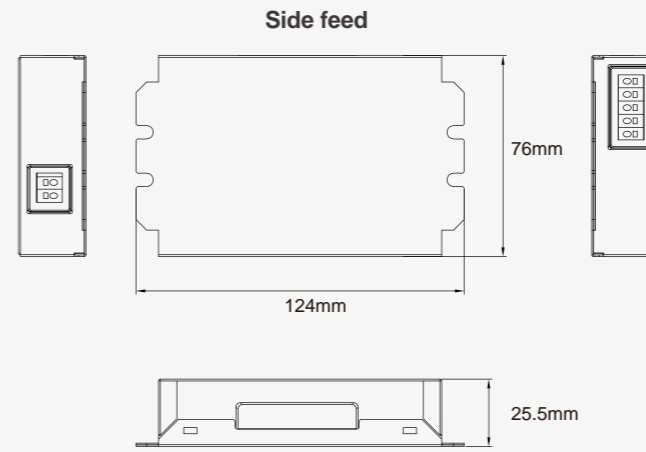
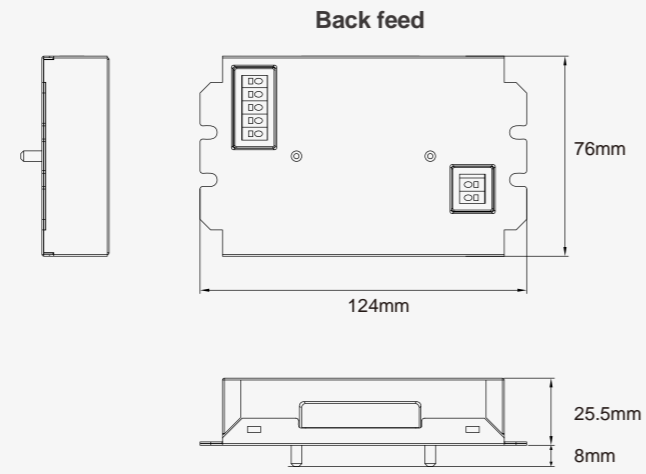
# 50W 1CH Series



## Key features

- CC** **Driver Type**  
Dimmable constant current LED driver
- Dimming Range**  
0.1%–100% dimming range with DALI-2 (including 0% off)
- Optional Dimming Curve**  
Logarithm or linear
- Flickers Free**  
Meet CEC title 24 JA10/ IEEE PAR 1789-2015
- IEC** **IEC62386**  
Part 101,102,207,250,251,252,253 2.0 version
- NFC** **NFC technology**  
to program the driver
- Warranty**  
5 years
- IP Rating**  
IP20 design

## Mechanical Drawings



## Electrical Specifications

Product Model	Power (W)	Input Range (VAC)	lout Range (mA)	Vout Range (VDC)	DALI-2	D4i	Form Factor	Dimensions (mm)
MU050S150AQI3220	50	100~277	100-1500	8-54	●	●	Back feed	124*76*33.5
MU050S150AQI3320	50	100~277	100-1500	8-54	●	●	Side feed	124*76*25.5

Ideal for office, retail, hospitality, culture & art, commercial.

DALI-2 Slim form factor

# 50W 1CH Series



## Key features

- CC

**Driver Type**  
Dimmable constant current LED driver
- IEC

**IEC62386**  
Part 101,102,207,250,251,252,253 2.0 version
- NFC

**NFC technology**  
to program the driver
- ✓

**Warranty**  
5 years
- Dimming Range**  
0.1%–100% dimming range with DALI-2 (including 0% off)
- 👁️

**Flickers Free**  
Meet CEC title 24 JA10/ IEEE PAR 1789-2015
- 🔥

**IP Rating**  
IP20 design

## Mechanical Drawings



## Certifications

Product Model	UL/cUL	CE	ENEC
MU050S210AQI3020	Class P	●	●

## Electrical Specifications

Product Model	Power (W)	Input Range (VAC)	Output Range (mA)	Vout Range (VDC)	DALI-2	D4i	Form Factor	Dimensions (mm)
MU050S210AQI3020	50	100~277	200~2100	8-54	●	●	Slim	408*30*21

Ideal for linear fixtures.

DALI-2 Slim form factor

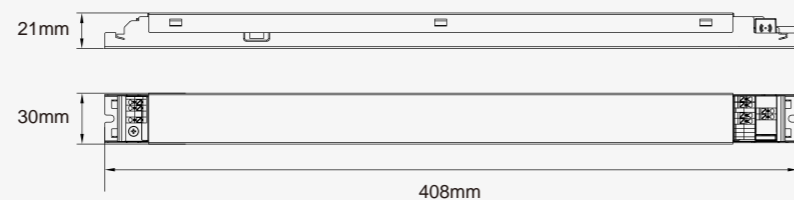
# 75W 1CH Series



## Key features

- CC** **Driver Type**  
Dimmable constant current LED driver
- Dimming Range**  
0.1%–100% dimming range with DALI-2 (including 0% off)
- Optional Dimming Curve**  
Logarithm or linear
- Flickers Free**  
Meet CEC title 24 JA10/ IEEE PAR 1789-2015
- IEC** **IEC62386**  
Part 101,102,207,250,251,252,253 2.0 version
- NFC** **NFC technology**  
to program the driver
- Warranty**  
5 years
- IP Rating**  
IP20 design

## Mechanical Drawings



## Certifications

Product Model	UL/cUL	CE	ENEC	PSE
MU075S210AQI3020	Class P	●	●	●

## Electrical Specifications

Product Model	Power (W)	Input Range (VAC)	Output Range (mA)	Vout Range (VDC)	DALI-2	D4i	Form Factor	Dimensions (mm)
MU075S210AQI3020	75	100-277	200-2100	8-54	●	●	Slim	408*30*21

Ideal for linear fixtures.



DALI-2 Ultra-compact form factor

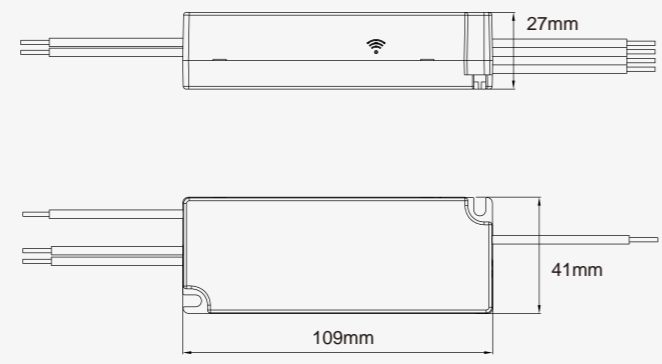
# 20W 2CH Series



## Key features

- CC** **Driver Type**  
Dimmable constant current LED driver
- Dimming Range**  
0.1%–100% dimming range with DALI-2 (including 0% off)
- Optional Dimming Curve**  
Logarithm or linear
- Tunable white**  
Supports DT8/DT6 CCT and DT6 1/2 address modes
- IEC** **IEC62386**  
Part 101,102,207,209(Tc),250,251,252,253 2.0 version
- Flickers Free**  
Meet CEC title 24 JA10/ IEEE PAR 1789-2015
- IP Rating**  
IP20 design
- NFC** **NFC technology**  
to program the driver
- Warranty**  
5 years

## Mechanical Drawings



## Certifications

Product Model	UL/cUL
PU020S105BQI5920	Class P

## Electrical Specifications

Product Model	Power (W)	Input Range (VAC)	Output Range (mA)	Vout Range (VDC)	DALI-2	D4i	Form Factor	Dimensions (mm)
PU020S105BQI5920	20	100~277	150-1050	8-54	●	●	Ultra-Compact	109*41*27

\* Common-anode or common-cathode configurations are not acceptable.

Ideal for office, retail, hospitality, culture & art, commercial.

DALI-2 Bracket form factor

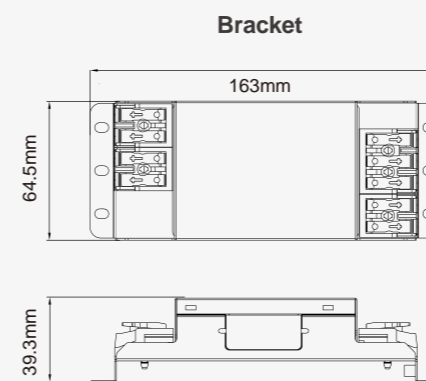
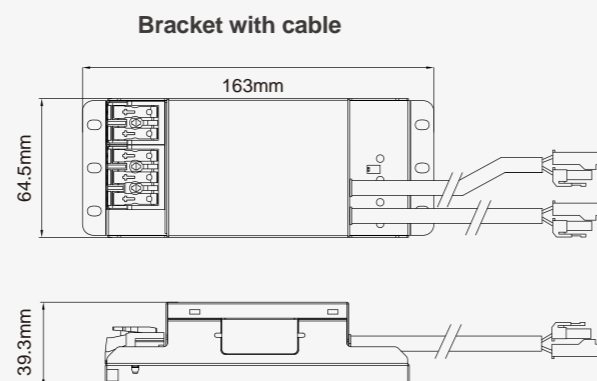
# 30W 2CH Series



## Key features

- CC** **Driver Type**  
Dimmable constant current LED driver
- Dimming Range**  
0.1%–100% dimming range with DALI-2 / PWM (including 0% off)
- Optional Dimming Curve**  
Logarithm or linear
- Tunable white**  
Supports DT8/DT6 CCT and DT6 1/2 address modes
- IEC IEC62386**  
Part 101,102,207,209(Tc) 2.0 version
- Flickers Free**  
Meet CEC title 24 JA10/ IEEE PAR 1789-2015
- IP Rating**  
IP20 design
- NFC** **NFC technology to program the driver**  
Configurable for CC or CV load
- Warranty**  
5 years

## Mechanical Drawings



## Certifications

Product Model	PSE
MU030S105BQI570	●
MU030S105BQI590	●

## Electrical Specifications

Product Model	Power (W)	Input Range (VAC)	Iout Range (mA)	Vout Range (VDC)	DALI-2	Form Factor	Dimensions (mm)
MU030S105BQI570	30	100~242	100-1050	8-54	●	Bracket	163*64.5*39.3
MU030S105BQI590	30	100~242	100-1050	8-54	●	Bracket with cable	163*64.5*39.3

\* Common-anode or common-cathode configurations are not acceptable.

Ideal for office, retail, hospitality.

Popular in Japanese market



**DALI-2** Back feed / Side feed form factor

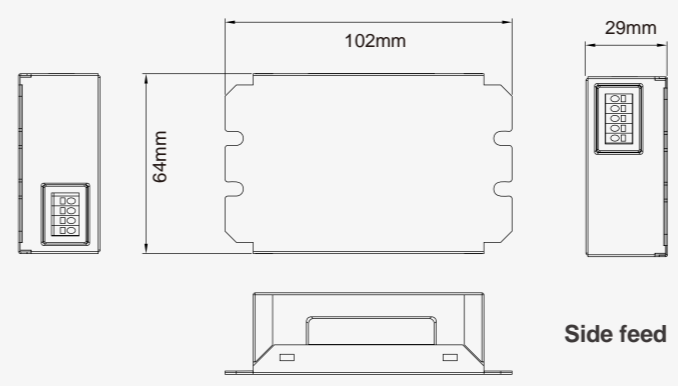
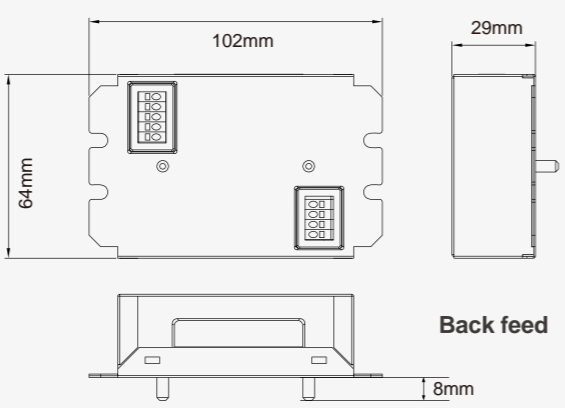
# 30W 2CH Series



## Key features

- CC** **Driver Type**  
Dimmable constant current LED driver
- Dimming Range**  
0.1%–100% dimming range with DALI-2 (including 0% off)
- Optional Dimming Curve**  
Logarithm or linear
- Tunable white**  
Supports DT8/DT6 CCT and DT6 1/2 address modes
- IEC IEC62386**  
Part 101,102,207,209(Tc),250,251,252,253 2.0 version
- Flickers Free**  
Meet CEC title 24 JA10/ IEEE PAR 1789-2015
- IP Rating**  
IP20 design
- NFC** **NFC technology**  
to program the driver
- Warranty**  
5 years

## Mechanical Drawings



## Certifications

Product Model	UL/cUL	ENEC
MU030S105BQI5220	Class P	●
MU030S105BQI5320	Class P	●

## Electrical Specifications

Product Model	Power (W)	Input Range (VAC)	Iout Range (mA)	Vout Range (VDC)	DALI-2	D4i	Form Factor	Dimensions (mm)
MU030S105BQI5220	30	100~277	100-1050	8-54	●	●	Back feed	102*64*37
MU030S105BQI5320	30	100~277	100-1050	8-54	●	●	Side feed	102*64*29

\* Common-anode or common-cathode configurations are not acceptable.

Ideal for office, retail, hospitality, culture & art, commercial.



DALI-2 Back feed / Side feed form factor

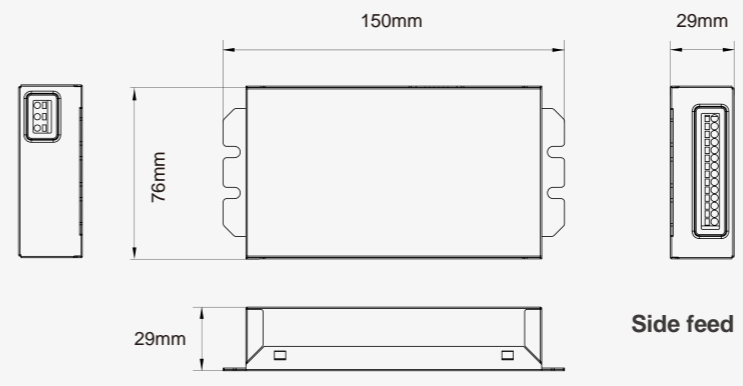
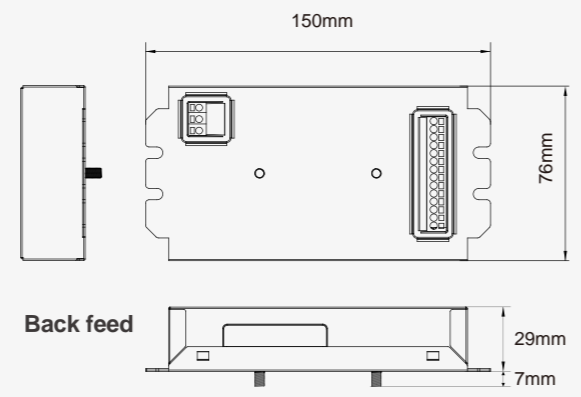
# 50W 2CH Series Flagship



## Key features

- CC** **Driver Type**  
Dimmable constant current LED driver
- Dimming Range**  
0.1%–100% dimming range with DALI-2 (including 0% off)
- Optional Dimming Curve**  
Logarithm or linear
- Tunable white**  
Supports DT8/DT6 CCT and DT6 1/2 address modes
- IEC** **IEC62386**  
Part 101,102,207,209(Tc) 2.0 version
- Flickers Free**  
Meet CEC title 24 JA10/ IEEE PAR 1789-2015
- 12V/15mA**  
Auxiliary Output
- NFC** **NFC technology**  
to program the driver
- IP Rating**  
IP20 design
- Warranty**  
5 years

## Mechanical Drawings



## Certifications

Product Model	UL/CuL
MU050S150BQI526	Class P
MU050S150BQI527	Class P
MU050S150BQI536	Class P
MU050S150BQI537	Class P

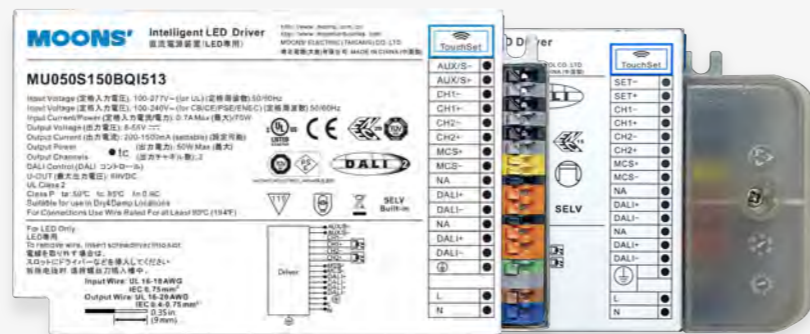
## Electrical Specifications

Product Model	Power (W)	Input Range (VAC)	Output Range (mA)	Vout Range (VDC)	DALI-2	DALI power	Form Factor	Dimensions (mm)
MU050S150BQI526	50	100~277	200-1500	8-55	●		Back feed	150*76*36
MU050S150BQI527	50	100~277	200-1500	8-55	●	●	Back feed	150*76*36
MU050S150BQI536	50	100~277	200-1500	8-55	●		Side feed	150*76*29
MU050S150BQI537	50	100~277	200-1500	8-55	●	●	Side feed	150*76*29

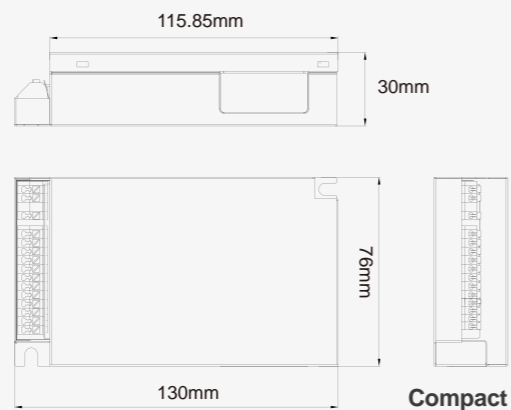
Ideal for office, retail, hospitality, culture & art, commercial and etc.

DALI-2 Compact form factor

# 50W 2CH Series Flagship

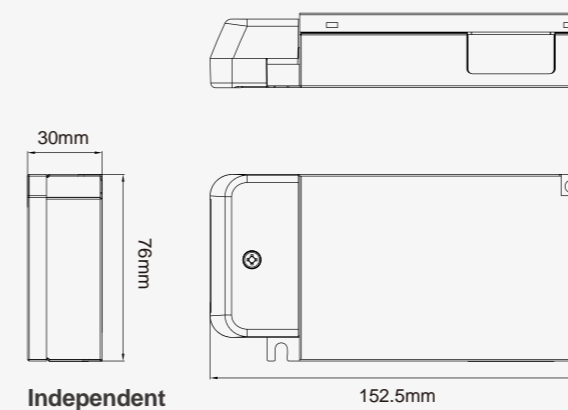


## Mechanical Drawings



## Key features

- CC** **Driver Type**  
Dimmable constant current LED driver
- Optional Dimming Curve**  
Logarithm or linear
- IEC** **IEC62386**  
Part 101,102,207,209(Tc) 2.0 version
- 12V/100mA**  
Auxiliary Output
- IP Rating**  
IP20 design
- Dimming Range**  
0.1%–100% dimming range with DALI-2 (including 0% off)
- Tunable white**  
Supports DT8/DT6 CCT and DT6 1/2 address modes
- Flickers Free**  
Meet CEC title 24 JA10/ IEEE PAR 1789-2015
- NFC** **NFC technology**  
to program the driver
- Warranty**  
5 years



## Certifications

Product Model	UL/CuL	CE	ENEC	PSE	CCC
MU050S150BQI511	Class P	●	●	●	
MU050S150BQI513	Class P	●	●	●	
MU050S150BQI551	Class P	●	●	●	●
MU050S150BQI553	Class P	●	●	●	●

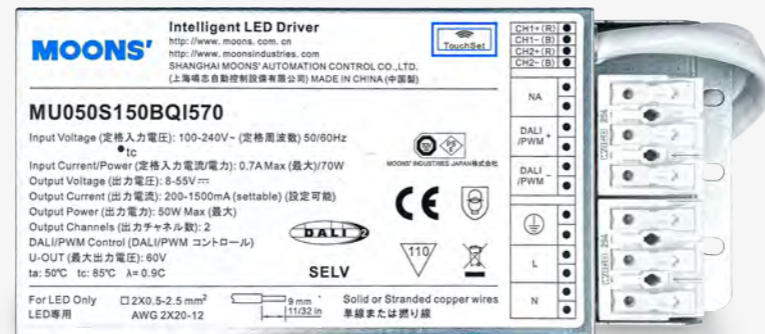
## Electrical Specifications

Product Model	Power (W)	Input Range (VAC)	Iout Range (mA)	Vout Range (VDC)	DALI-2	DALI power	Form Factor	Dimensions (mm)
MU050S150BQI511	50	100~277	200-1500	8-55	●		Compact	130*76*30
MU050S150BQI513	50	100~277	200-1500	8-55	●	●	Compact	130*76*30
MU050S150BQI551	50	100~277	200-1500	8-55	●		Independent	152*76*30
MU050S150BQI553	50	100~277	200-1500	8-55	●	●	Independent	152*76*30

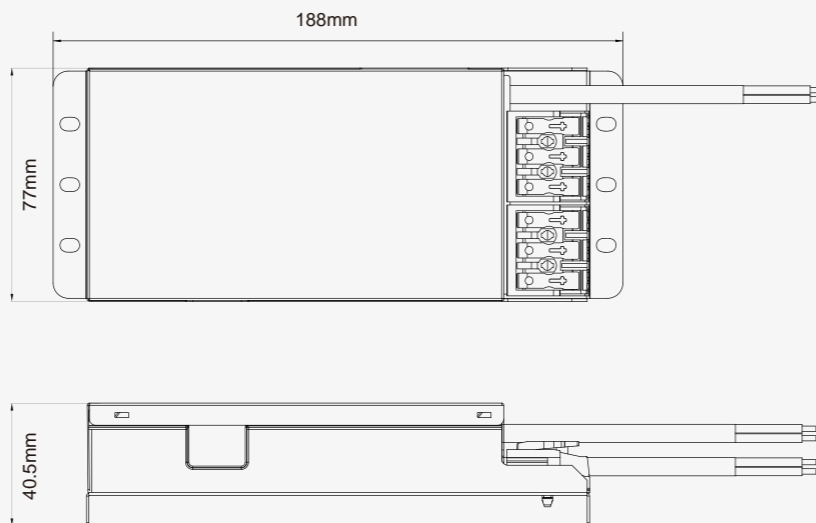
Ideal for office, retail, hospitality, culture & art, commercial and etc.

DALI-2 Bracket form factor

# 50W 2CH Series Flagship



## Mechanical Drawings



## Certifications

Product Model	PSE
MU050S150BQI570	●

## Key features

- CC** **Driver Type**  
Dimmable constant current LED driver

**Optional Dimming Curve**  
Logarithm or linear

**IEC** **IEC62386**  
Part 101,102,207,209(Tc) 2.0 version

**NFC** **NFC technology to program the driver**  
Configurable for CC or CV load

**IP Rating**  
IP20 design
- Dimming Range**  
0.1%–100% dimming range with DALI-2 / PWM (including 0% off)

**Tunable white**  
Supports DT8/DT6 CCT and DT6 1/2 address modes

**Flickers Free**  
Meet CEC title 24 JA10/ IEEE PAR 1789-2015

**Warranty**  
5 years

## Electrical Specifications

Product Model	Power (W)	Input Range (VAC)	Output Range (mA)	Vout Range (VDC)	DALI-2	Form Factor	Dimension (mm)
MU050S150BQI570	50	100~240	200-1500	8-55	●	Bracket	188*77*40.5

Ideal for office, retail, hospitality, culture & art, commercial and etc.

Popular in Japanese market



DALI-2 Slim form factor

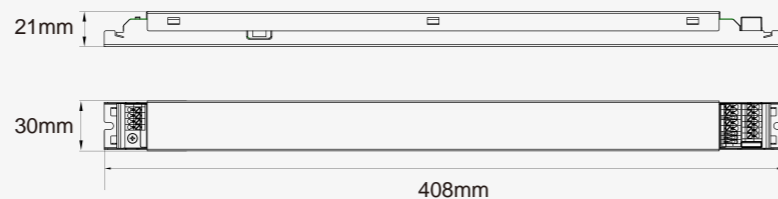
# 50W 2CH Series Flagship



## Key features

- CC **Driver Type**  
Dimmable constant current LED driver
- IEC **IEC62386**  
Part 101,102,207,209(Tc),250,251,252,253 2.0 version
- ⚡ **12V/100mA**  
Auxiliary Output
- 🌿 **IP Rating**  
IP20 design
- 🔭 **Dimming Range**  
0.1%–100% dimming range with DALI-2 (including 0% off)
- 🌈 **Tunable white**  
Supports DT8/DT6 CCT and DT6 1/2 address modes
- 👁️ **Flickers Free**  
Meet CEC title 24 JA10/ IEEE PAR 1789-2015
- NFC **NFC technology**  
to program the driver
- ✓ **Warranty**  
5 years

## Mechanical Drawings



## Certifications

Product Model	UL/CuL	CE	ENEC	PSE
MU050S150BQI501	Class P	●	●	●
MU050S150BQI503	Class P	●	●	●
MU050S210BQI5020	Class P	●	●	

## Electrical Specifications

Product Model	Power (W)	Input Range (VAC)	Iout Range (mA)	Vout Range (VDC)	DALI-2	D4i	Auxiliary Output	Form Factor	Dimensions (mm)
MU050S150BQI501	50	100~277	200-1500	8-55	●		●	Slim	408*30*21
MU050S150BQI503	50	100~277	200-1500	8-55	●		●	Slim	408*30*21
MU050S210BQI5020	50	100~277	200-2100	8-54	●	●		Slim	408*30*21

\* For MU050S210BQI5020, common-anode or common-cathode configurations are not acceptable.

Ideal for linear fixtures.

DALI-2 Slim form factor

# 75W 2CH Series Flagship



## Key features

- CC **Driver Type**  
Dimmable constant current LED driver
- IEC **IEC62386**  
Part 101,102,207,209(Tc),250,251,252,253 2.0 version
- NFC **NFC technology**  
to program the driver
- IP **IP Rating**  
IP20 design
- DR **Dimming Range**  
0.1%–100% dimming range with DALI-2 (including 0% off)
- TW **Tunable white**  
Supports DT8/DT6 CCT and DT6 1/2 address modes
- FF **Flickers Free**  
Meet CEC title 24 JA10/ IEEE PAR 1789-2015
- W **Warranty**  
5 years

## Mechanical Drawings



## Certifications

Product Model	UL/cUL	CE	ENEC	PSE
MU075S210BQI5020	Class P	●	●	●

## Electrical Specifications

Product Model	Power (W)	Input Range (VAC)	Output Range (mA)	Vout Range (VDC)	DALI-2	D4i	Form Factor	Dimension (mm)
MU075S210BQI5020	75	100~277	200~2100	8-54	●	●	Slim	408*30*21

\* Common-anode or common-cathode configurations are not acceptable.

Ideal for linear fixtures.

DALI-2 Rectangular form factor

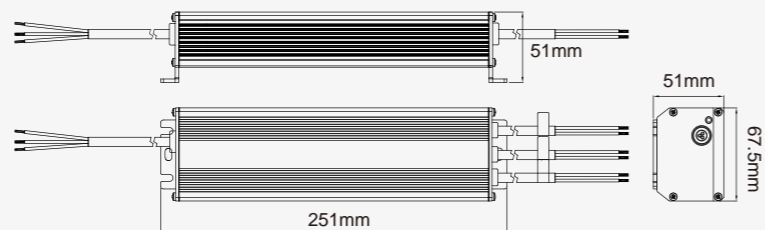
# 200W 2CH Series



## Key features

- CV** **Driver Type**  
Dimmable constant voltage LED driver
- Dimming Range**  
0.1%–100% dimming range with DALI-2 / PWM (including 0% off)
- Optional Dimming Curve**  
Logarithm or linear
- Tunable white**  
Supports DT8/DT6 CCT and DT6 1/2 address modes
- IEC** **IEC62386**  
Part 101,102,207,209(Tc) 2.0 version
- Flickers Free**  
Meet CEC title 24 JA10/ IEEE PAR 1789-2015
- DALI interface communicating technology**  
to program the driver
- Warranty**  
5 years
- IP Rating**  
IP67 design

## Mechanical Drawings



## Certifications

Product Model	PSE
MU200S024BPI500	●

## Electrical Specifications

Product Model	Power (W)	Input Range (VAC)	Output Range (mA)	Vout Range (VDC)	DALI-2	Form Factor	Dimension (mm)
MU200S024BPI500	200	100~242	0-8300	23-25 Adjustable	●	Rectangular	251*51*67.5

Ideal for stretch ceiling lighting.

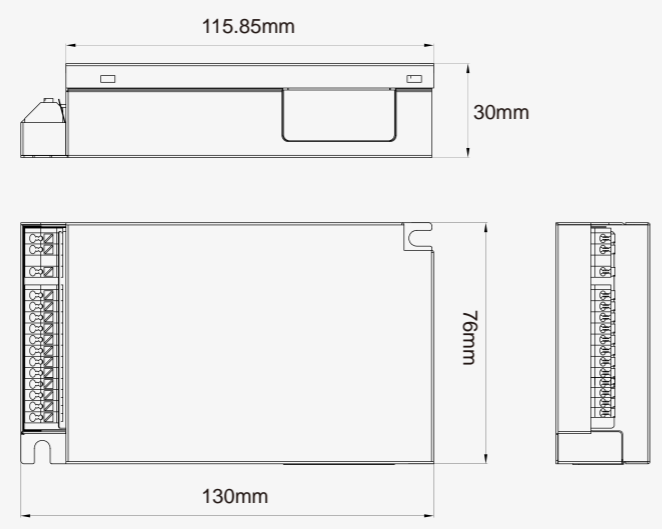


**DALI-2 Compact form factor**

# 50W 4CH Series



## Mechanical Drawings



## Certifications

Product Model	UL/cUL	CE	ENEC
MU050S105DQI512	Class P	●	●

## Key features

- CC** **Driver Type**  
Dimmable constant current LED driver
- Dimming Range**  
0.1%–100% dimming range with DALI-2 (including 0% off)
- Optional Dimming Curve**  
Logarithm or linear
- DT8: xy-coordinate+Tc+RGBWAF, Tc\*2**  
**DT6: Solo (1 address), 4-channel (4 addresses)**
- IEC** **IEC62386**  
Part 101,102,207,209(xy+Tc+RGBW) 2.0 version
- Flickers Free**  
Meet CEC title 24 JA10/ IEEE PAR 1789-2015
- 15V/60mA**  
DALI Power
- NFC** **NFC technology**  
to program the driver
- IP Rating**  
IP20 design
- Warranty**  
5 years

## Electrical Specifications

Product Model	Power (W)	Input Range (VAC)	Output Range (mA)	Vout Range (VDC)	DALI-2	DALI power	Form Factor	Dimensions (mm)
MU050S105DQI512	50	100~277	200-1050	8-50	●	●	Compact	130*76*30

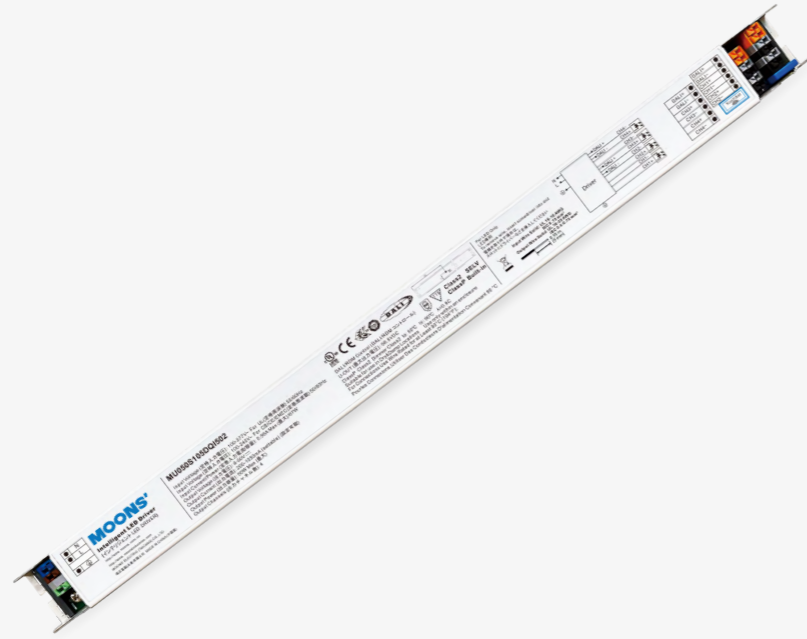
\* Common-anode or common-cathode configurations are not acceptable.

Ideal for retail, hospitality, culture & art, healthcare and etc.



DALI-2 Slim form factor

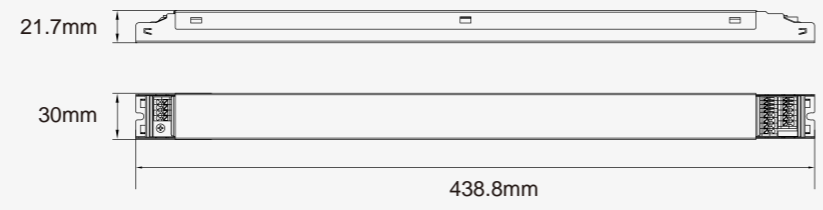
# 50W 4CH Series



## Key features

- CC** **Driver Type**  
Dimmable constant current LED driver
- Dimming Range**  
0.1%–100% dimming range with DALI-2 (including 0% off)
- Optional Dimming Curve**  
Logarithm or linear
- DT8: xy-coordinate+Tc+RGBWAF, Tc\*2**  
**DT6: Solo (1 address), 4-channel (4 addresses)**
- IEC** **IEC62386**  
Part 101,102,207,209(xy+Tc+RGBW) 2.0 version
- Flickers Free**  
Meet CEC title 24 JA10/ IEEE PAR 1789-2015
- 15V/60mA**  
DALI Power
- NFC** **NFC technology**  
to program the driver
- IP Rating**  
IP20 design
- Warranty**  
5 years

## Mechanical Drawings



## Certifications

Product Model	UL/cUL	CE	ENEC
MU050S105DQI502	Class P	●	●

## Electrical Specifications

Product Model	Power (W)	Input Range (VAC)	Iout Range (mA)	Vout Range (VDC)	DALI-2	DALI power	Form Factor	Dimensions (mm)
MU050S105DQI502	50	100~277	200-1050	8-50	●	●	Slim	438.8*30*21.7

\* Common-anode or common-cathode configurations are not acceptable.

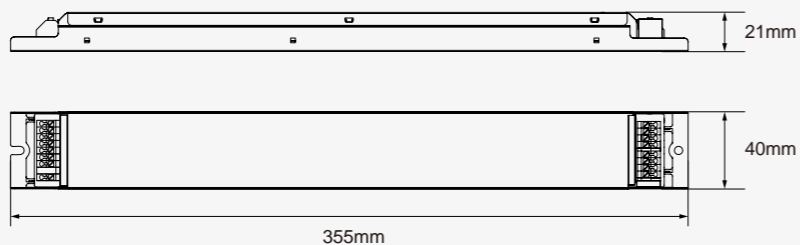
Ideal for hue linear fixtures.

DALI-2 Slim form factor

# 100W 4CH Series



## Mechanical Drawings



## Certifications

Product Model	CE
MU100S210DQI5020	●

## Key features

- CC** Driver Type  
Dimmable constant current LED driver
- Optional Dimming Curve**  
Logarithm or linear
- IEC** IEC62386  
Part 101,102,207,209,250,251,252,253 2.0 version
- 15V/56mA**  
DALI Power
- IP Rating**  
IP20 design
- Dimming Range**  
0.1%–100% dimming range with DALI-2 (including 0% off)
- DT8: xy-coordinate+Tc+RGBWAF, Tc\*2**  
**DT6: Solo (1 address), 4-channel (4 addresses)**  
Push dimming for Tunable White or Dimming only
- Flickers Free**  
Meet CEC title 24 JA10/ IEEE PAR 1789-2015
- NFC** NFC technology  
to program the driver
- Warranty**  
5 years

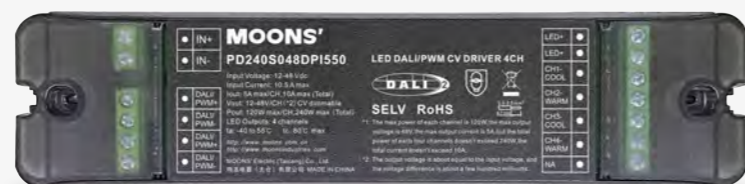
## Electrical Specifications

Product Model	Power (W)	Input Range (VAC)	Iout Range (mA)	Vout Range (VDC)	DALI-2	D4i	DALI Power	Form Factor	Dimension (mm)
MU100S210DQI5020	100	100~277	200-2100	8-55	●	●	●	Slim	355*40*21

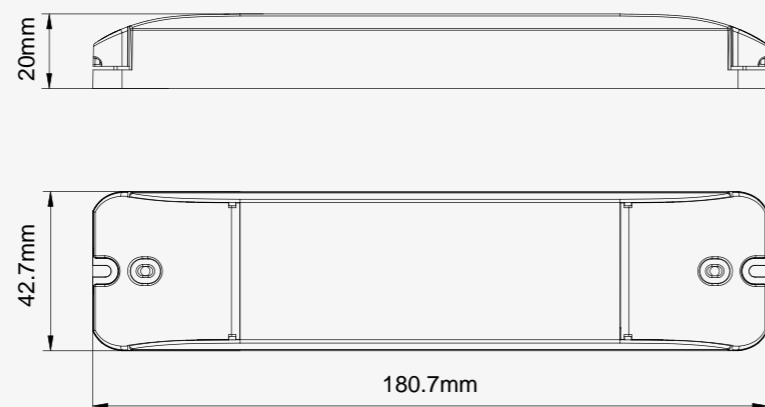
Ideal for hue linear fixtures.

DALI-2 Stick form factor

# 240W 4CH Series



## Mechanical Drawings



### Precautions:

- Output loads as far as possible only LED, resistor or diode and part of the TVS protection circuit.
- Output loads do not include capacitive loads.
- LED load circuit such as active constant current circuit, please cooperate with the sample to verify.
- The response speed of some constant current circuits may affect the dimming performance.

## Key features

- CV Driver Type**  
Dimmable constant voltage LED driver
- Dimming Range**  
0.1%–100% dimming range with DALI-2 / PWM (including 0% off)
- Optional Dimming Curve**  
Logarithm or linear
- DT8: Tc**  
**DT6: Solo (1 address), 4-channel (4 addresses)**
- IEC IEC62386**  
Part 101,102,207, 209(Tc) 2.0 version
- Flickers Free**  
Meet CEC title 24 JA10/ IEEE PAR 1789-2015
- DALI interface**  
for firmware upgrade and programming
- Warranty**  
5 years
- IP Rating**  
IP20 design

## Electrical Specifications

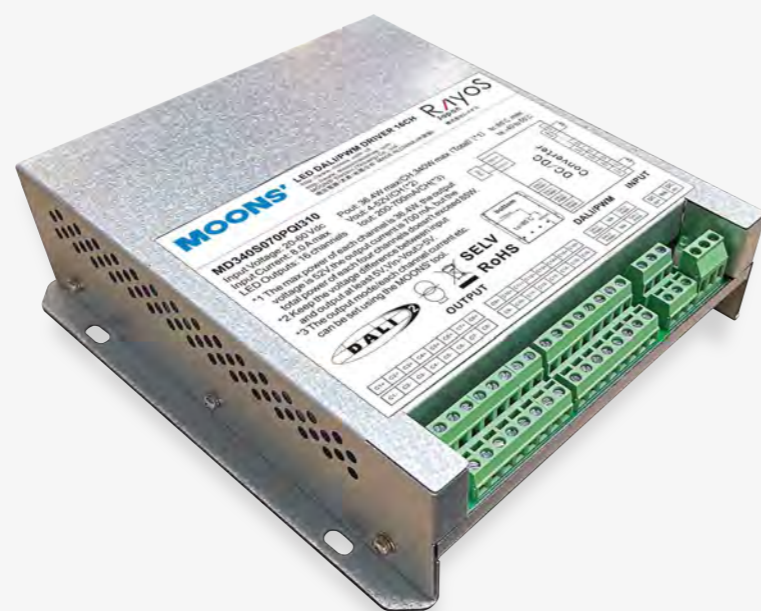
Product Model	Power (W)	Input Range (VDC)	Output Range (mA)	Vout Range (VDC)	DALI-2	Form Factor	Dimensions (mm)
PD240S048DPI550	240	12-48	0-5000/CH	12-48	●	Stick	180.7*42.7*20

Output Voltage	12V	24V	48V	Channel	Output Voltage	12V	24V	48V	Channel
Output Power Range (Max)	60W	120W	120W	Channel 1	Output Current Range (Max)	5A	5A	2.5A	Channel 1
	60W	120W	120W	Channel 2		5A	5A	2.5A	Channel 2
	60W	120W	120W	Channel 3		5A	5A	2.5A	Channel 3
	60W	120W	120W	Channel 4		5A	5A	2.5A	Channel 4
	120W	240W	240W	Total 4channels		10A	10A	5A	Total 4channels

Ideal for hue LED strip lighting.  
Popular in Japanese market

DALI-2 Box form factor

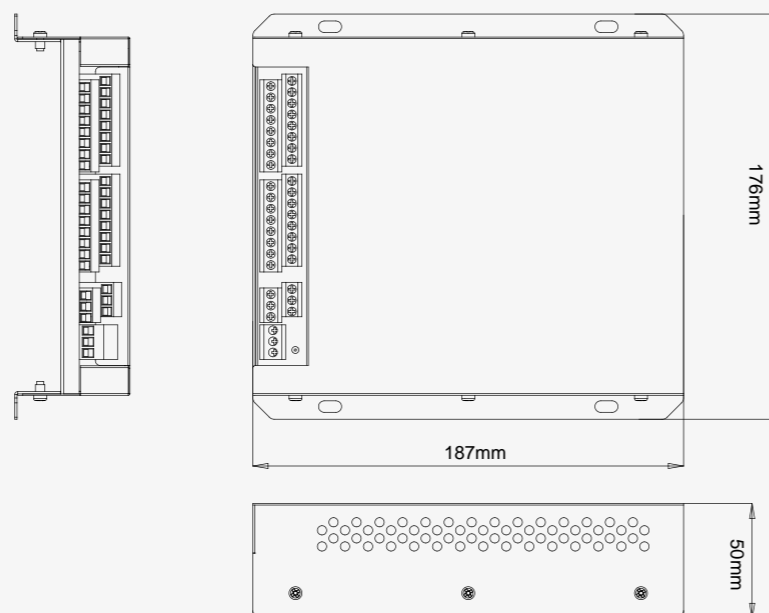
# 340W 16CH Series



## Key features

- CC Driver Type**  
Dimmable constant current LED driver
- Dimming Range**  
0.1%–100% dimming range with DALI-2/PWM (including 0% off)
- Optional Dimming Curve**  
Logarithm or linear
- All in One**  
Centralized management
- DALI interface communicating technology**  
to program the driver
- Flickers Free**  
Meet CEC title 24 JA10/ IEEE PAR 1789-2015
- Single Channel Control**  
ON/OFF supported
- Warranty**  
5 years
- IP Rating**  
IP20 design

## Mechanical Drawings



## Electrical Specifications

Product Model	Power (W)	Iout Range (mA)	Vout Range (VDC)	DALI-2	Form Factor	Dimensions (mm)
MD340S070PQI310	Per Channel: 36.4 W max Per 4-Channel Group: 85 W max Total (16 Channels): 340 W max	200-700	4-52	●	Box	187*176*50

\*Rated DC Input: 20-60Vdc (5V<Vin-Vo<20V)

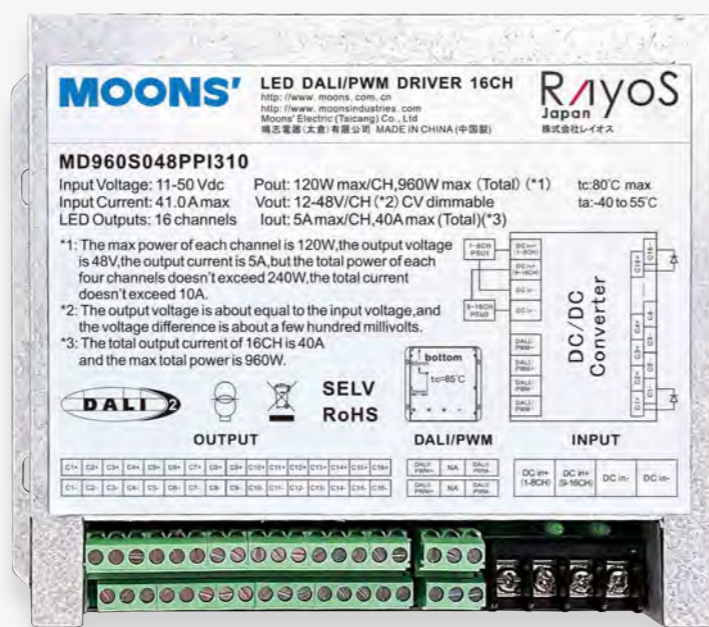
Ideal for luxury hotels and banquet halls.

Popular in Japanese market

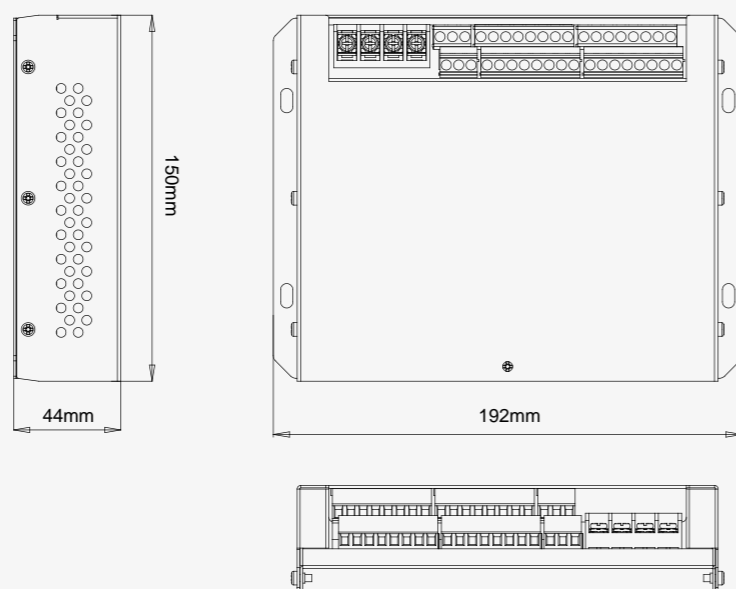


DALI-2 Box form factor

# 960W 16CH Series



## Mechanical Drawings



Ideal for luxury hotels and banquet halls.

Popular in Japanese market

## Key features

- CV Driver Type**  
Dimmable constant voltage LED driver
- Dimming Range**  
0.1%–100% dimming range with DALI-2/PWM (including 0% off)
- Optional Dimming Curve**  
Logarithm or linear
- All in One**  
Centralized management
- DALI interface communicating technology**  
to program the driver
- Flickers Free**  
Meet CEC title 24 JA10/ IEEE PAR 1789-2015
- Single Channel Control**  
ON/OFF supported
- Hz Output Frequency**  
22KHz
- IP Rating**  
IP20 design
- Warranty**  
5 years

## Electrical Specifications

Product Model	Input Voltage (VDC)	Pout Total (W)	Iout Total (A)	Pout Per CH (W)	Iout Per CH (A)	Vout Range (VDC)	DALI-2	Form Factor	Dimensions (mm)
MD960S048PPI310	12	360 max	30 max	60 max	5 max	12	●	Box	192*150*44
	*Operate at 12VDC: 60W max per channel, 120W max per 4-channel group, 360W max per driver.								
	24	720 max	30 max	120 max	5 max	24			
	*Operate at 24VDC: 120W max per channel, 240W max per 4-channel group, 720W max per driver.								
	48	960 max	20 max	240 max	2.5 max	48			
*Operate at 48VDC: 120W max per channel, 240W max per 4-channel group, 960W max per driver									

### Precautions:

- Designed for LED, resistor, diode, and partial TVS protection circuit loads.
- Capacitive loads are not supported.
- For LED circuits using active constant current drivers, please verify with a sample.
- The response speed of certain constant current circuits may affect dimming performance.

DMX(RDM) Ultra-compact form factor

## 20W 1CH Series



### Key features

**CC** Driver Type  
Dimmable constant current LED driver

**Optional Dimming Curve**  
Logarithm, linear, square or gamma2.2

**NFC** NFC technology  
to program the driver

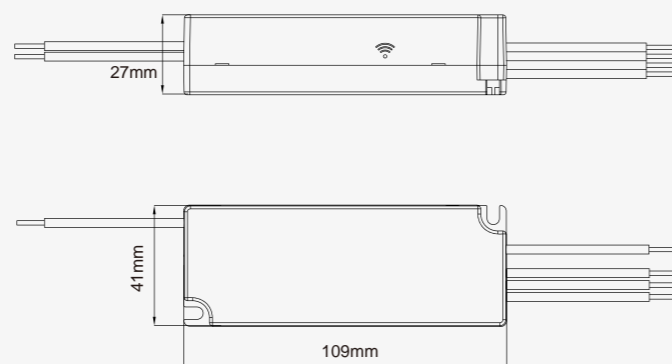
**Warranty**  
5 years

**Dimming Range**  
0.1%–100% dimming range with DMX(RDM) (including 0% off)

**Flickers Free**  
Meet CEC title 24 JA10/ IEEE PAR 1789-2015

**IP Rating**  
IP20 design

### Mechanical Drawings



### Certifications

Product Model	UL/CUL
PU020S105AQI890	Class P

### Electrical Specifications

Product Model	Power (W)	Input Range (VAC)	Output Range (mA)	Vout Range (VDC)	DMX (RDM)	Form Factor	Dimensions (mm)
PU020S105AQI890	20	100–277	150-1050	8-54	●	Ultra-compact	109*41*27

Ideal for office, retail, hospitality.



DMX(RDM) Slim form factor

## 50W 1CH Series



### Key features

- CC** **Driver Type**  
Dimmable constant current LED driver
- Dimming Range**  
0.1%–100% dimming range with DMX(RDM) (including 0% off)
- Optional Dimming Curve**  
Logarithm, linear, square or gamma2.2
- Flickers Free**  
Meet CEC title 24 JA10/ IEEE PAR 1789-2015
- NFC** **NFC technology**  
to program the driver
- IP Rating**  
IP20 design
- Warranty**  
5 years

### Mechanical Drawings



### Certifications

Product Model	UL/cUL	CE	ENEC
MU050S210AQI800	Class P	●	●

### Electrical Specifications

Product Model	Power (W)	Input Range (VAC)	Output Range (mA)	Vout Range (VDC)	DMX (RDM)	Form Factor	Dimensions (mm)
MU050S210AQI800	50	100–277	200–2100	8–54	●	Slim	408*30*21

Ideal for linear fixtures.



DMX(RDM) Slim form factor

# 75W 1CH Series



## Key features

- CC** **Driver Type**  
Dimmable constant current LED driver

**Optional Dimming Curve**  
Logarithm, linear, square or gamma2.2

**NFC** **NFC technology**  
to program the driver

**Warranty**  
5 years
- Dimming Range**  
0.1%–100% dimming range with DMX(RDM) (including 0% off)

**Flickers Free**  
Meet CEC title 24 JA10/ IEEE PAR 1789-2015

**IP Rating**  
IP20 design

## Mechanical Drawings



## Certifications

Product Model	UL/cUL	CE	ENEC	PSE
MU075S210AQI800	Class P	●	●	●

## Electrical Specifications

Product Model	Power (W)	Input Range (VAC)	Output Range (mA)	Vout Range (VDC)	DMX (RDM)	Form Factor	Dimensions (mm)
MU075S210AQI800	75	100~277	200-2100	8-54	●	Slim	408*30*21









Ideal for linear fixtures.

DMX(RDM) Ultra-compact form factor

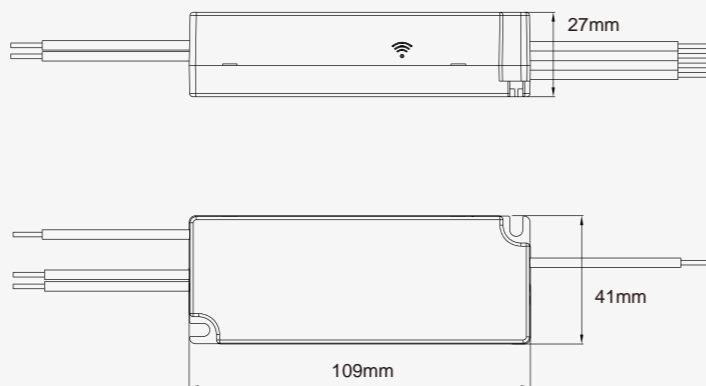
## 20W 2CH Series



### Key features

-  **Driver Type**  
Dimmable constant current LED driver
-  **Dimming Range**  
0.1%–100% dimming range with DMX(RDM) (including 0% off)
-  **Optional Dimming Curve**  
Logarithm, linear, square or gamma2.2
-  **Tunable white**  
Dual-channel (single address or dual addresses).
-  **NFC technology**  
to program the driver
-  **Flickers Free**  
Meet CEC title 24 JA10/ IEEE PAR 1789-2015
-  **IP Rating**  
IP20 design
-  **Warranty**  
5 years

### Mechanical Drawings



### Certifications

Product Model	UL/cUL
PU020S105BQI890	Class P

### Electrical Specifications

Product Model	Power (W)	Input Range (VAC)	Output Range (mA)	Vout Range (VDC)	DMX (RDM)	Form Factor	Dimensions (mm)
PU020S105BQI890	20	100~277	150-1050	8-54	●	Ultra-compact	109*41*27

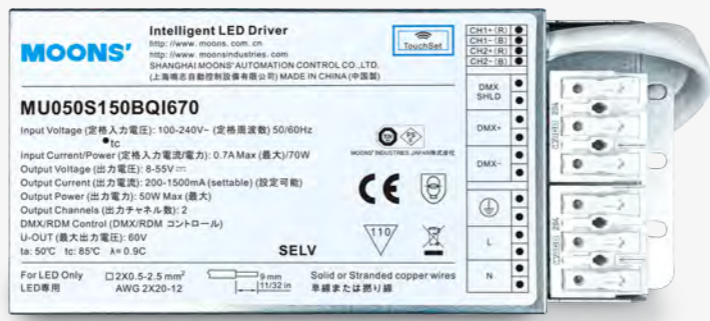
\* Common-anode or common-cathode configurations are not acceptable.

Ideal for office, retail, hospitality.



DMX(RDM) Bracket form factor

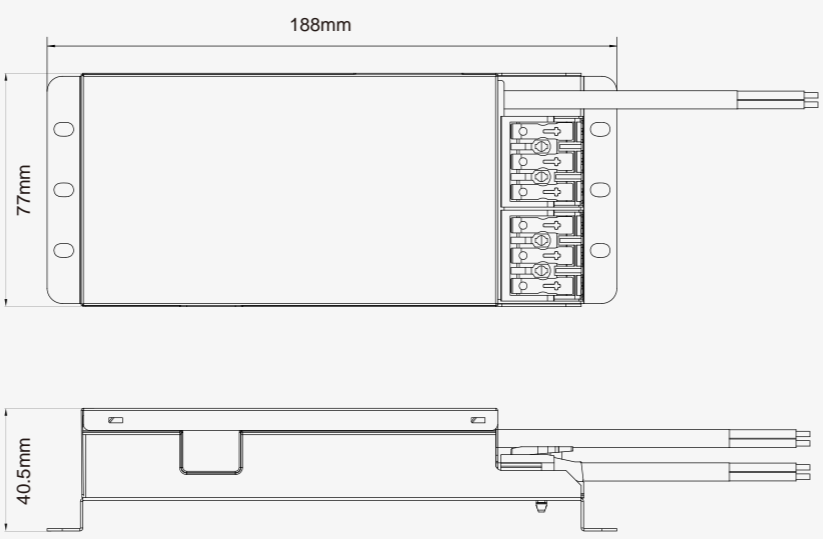
# 50W 2CH Series



## Key features

- CC** **Driver Type**  
Dimmable constant current LED driver
- Dimming Range**  
0.1%–100% dimming range with DMX(RDM) (including 0% off)
- Optional Dimming Curve**  
Logarithm, linear, square or gamma2.2
- Tunable white**  
Dual-channel (single address or dual addresses).
- NFC** **NFC technology to program the driver**  
Configurable for CC or CV load
- Flickers Free**  
Meet CEC title 24 JA10/ IEEE PAR 1789-2015
- IP Rating**  
IP20 design
- Warranty**  
5 years

## Mechanical Drawings



## Certifications

Product Model	PSE
MU050S150BQI670	●

## Electrical Specifications

Product Model	Power (W)	Input Range (VAC)	Output Range (mA)	Vout Range (VDC)	DMX (RDM)	Form Factor	Dimensions (mm)
MU050S150BQI670	50	100~277	200-1500	8-55	●	Bracket	188*77*40.5

Ideal for office, retail, hospitality, culture & art, commercial.



DMX(RDM) Back feed / Side feed form factor

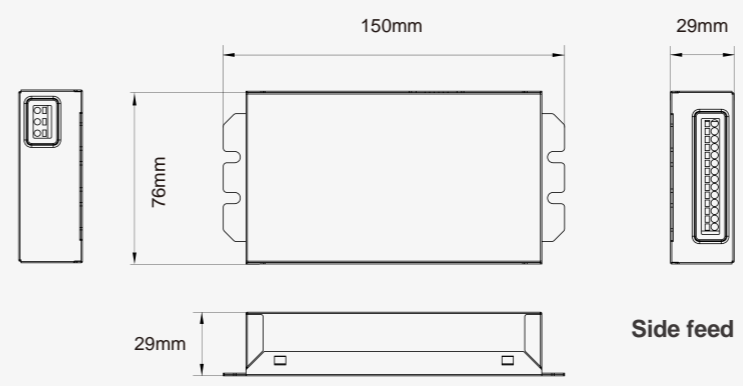
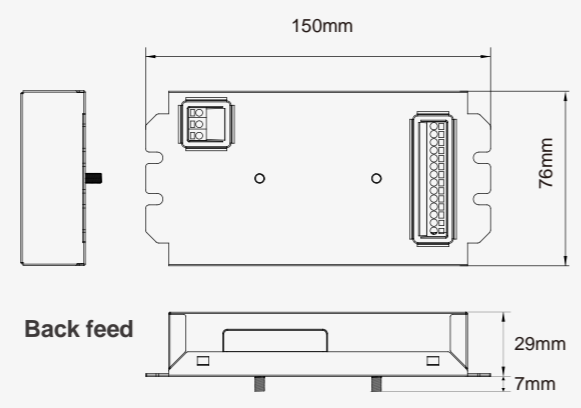
# 50W 2CH Series



## Key features

- CC** **Driver Type**  
Dimmable constant current LED driver
- Dimming Range**  
0.1%–100% dimming range with DMX(RDM) (including 0% off)
- Optional Dimming Curve**  
Logarithm, linear, square or gamma2.2
- Tunable white**  
Dual-channel (single address or dual addresses).
- NFC** **NFC technology**  
to program the driver
- Flickers Free**  
Meet CEC title 24 JA10/ IEEE PAR 1789-2015
- 12V/15mA**  
Auxiliary Output
- Warranty**  
5 years
- IP Rating**  
IP20 design

## Mechanical Drawings



## Certifications

Product Model	UL/cUL
MU050S150BQI626	Class P
MU050S150BQI636	Class P

## Electrical Specifications

Product Model	Power (W)	Input Range (VAC)	Output Range (mA)	Vout Range (VDC)	DMX (RDM)	Auxiliary Output	Form Factor	Dimensions (mm)
MU050S150BQI626	50	100~277	200-1500	8-55	●	●	Back feed	150*76*36
MU050S150BQI636	50	100~277	200-1500	8-55	●	●	Side feed	150*76*29

Ideal for office, retail, hospitality, culture & art, commercial.



DMX(RDM) Compact form factor

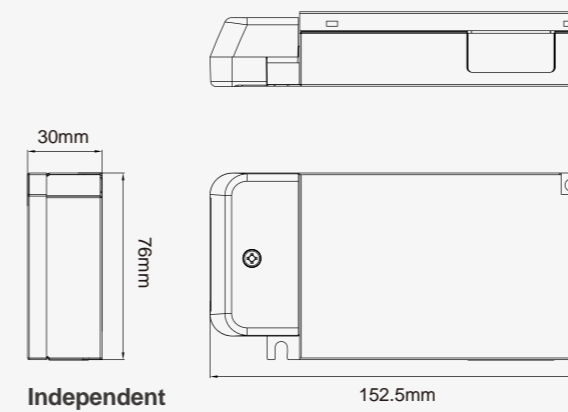
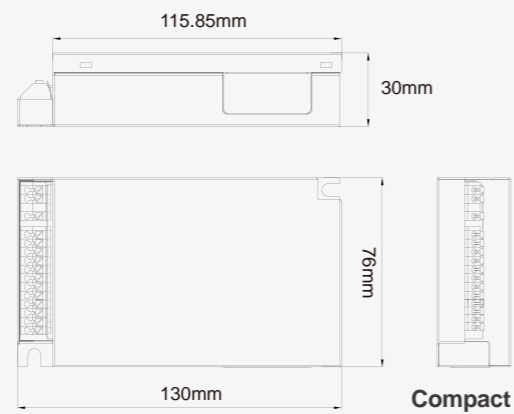
# 50W 2CH Series



## Key features

- CC** **Driver Type**  
Dimmable constant current LED driver
- Optional Dimming Curve**  
Logarithm, linear, square or gamma2.2
- NFC** **NFC technology**  
to program the driver
- 12V/100mA**  
Auxiliary Output
- IP Rating**  
IP20 design
- Dimming Range**  
0.1%–100% dimming range with DMX(RDM) (including 0% off)
- Tunable white**  
Dual-channel (single address or dual addresses).
- Flickers Free**  
Meet CEC title 24 JA10/ IEEE PAR 1789-2015
- Warranty**  
5 years

## Mechanical Drawings



## Certifications

Product Model	UL/cUL	CCC
MU050S150BQI611	Class P	
MU050S150BQI651	Class P	●

## Electrical Specifications

Product Model	Power (W)	Input Range (VAC)	Output Range (mA)	Vout Range (VDC)	DMX (RDM)	Auxiliary Output	Form Factor	Dimensions (mm)
MU050S150BQI611	50	100~277	200-1500	8-55	●	●	Compact	130*76*30
MU050S150BQI651	50	100~277	200-1500	8-55	●	●	Independent	152.5*76*30

Ideal for office, retail, hospitality, culture & art, healthcare, commercial.












DMX(RDM) Slim form factor

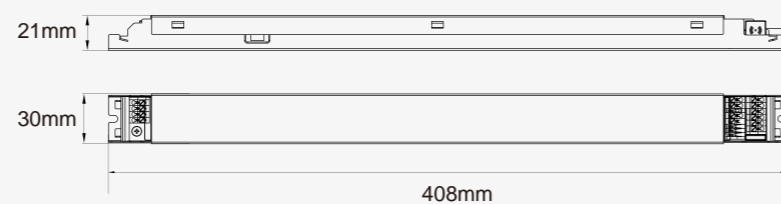
## 50W 2CH Series



### Key features

-  **Driver Type**  
Dimmable constant current LED driver
-  **Dimming Range**  
0.1%–100% dimming range with DMX(RDM) (including 0% off)
-  **Optional Dimming Curve**  
Logarithm, linear, square or gamma2.2
-  **Tunable white**  
Dual-channel (single address or dual addresses).
-  **NFC technology**  
to program the driver
-  **Flickers Free**  
Meet CEC title 24 JA10/ IEEE PAR 1789-2015
-  **12V/100mA Auxiliary Output**
-  **Warranty**  
5 years
-  **IP Rating**  
IP20 design

### Mechanical Drawings



### Certifications

Product Model	UL/CuL	CE	ENEC	PSE
MU050S150BQI601	Class P	●	●	●
MU050S210BQI800	Class P	●	●	

### Electrical Specifications

Product Model	Power (W)	Input Range (VAC)	Iout Range (mA)	Vout Range (VDC)	DMX (RDM)	Auxiliary Output	Form Factor	Dimension (mm)
MU050S150BQI601	50	100~277	200-1500	8-55	●	●	Slim	408*30*21
MU050S210BQI800	50	100~277	200-2100	8-54	●		Slim	408*30*21

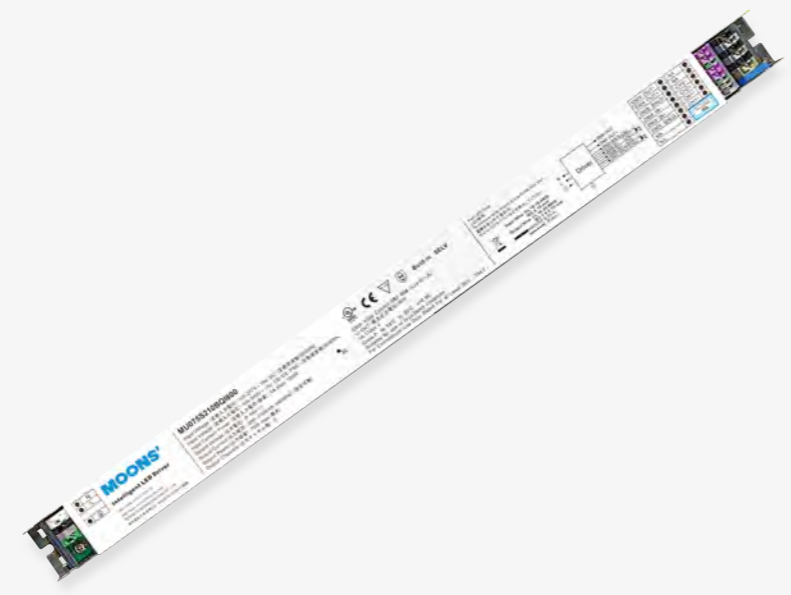
\* For MU050S210BQI800, common-anode or common-cathode configurations are not acceptable.

Ideal for retail, hospitality, airport, public, commercial and etc.



DMX(RDM) Slim form factor

# 75W 2CH Series



## Key features

- CC** **Driver Type**  
Dimmable constant current LED driver
- Dimming Range**  
0.1%–100% dimming range with DMX(RDM) (including 0% off)
- Optional Dimming Curve**  
Logarithm, linear, square or gamma2.2
- Tunable white**  
Dual-channel (single address or dual addresses).
- NFC** **NFC technology**  
to program the driver
- Flickers Free**  
Meet CEC title 24 JA10/ IEEE PAR 1789-2015
- IP Rating**  
IP20 design
- Warranty**  
5 years

## Mechanical Drawings



## Certifications

Product Model	UL/cUL	CE	ENEC	PSE
MU075S210BQI800	Class P	●	●	●

## Electrical Specifications

Product Model	Power (W)	Input Range (VAC)	Output Range (mA)	Vout Range (VDC)	DMX (RDM)	Form Factor	Dimensions (mm)
MU075S210BQI800	75	100~277	200-2100	8-54	●	Slim	408*30*21

\* Common-anode or common-cathode configurations are not acceptable.

Ideal for retail, hospitality, airport, public, commercial and etc.



DMX(RDM) Compact form factor

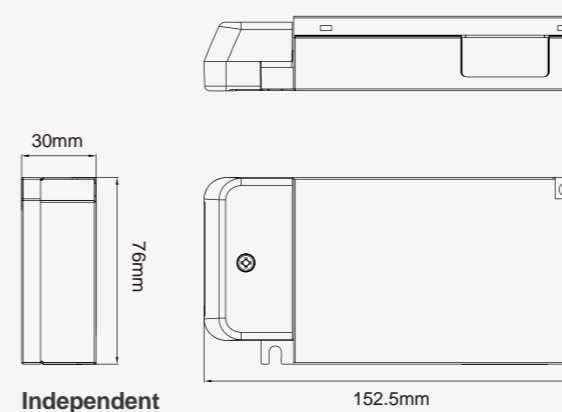
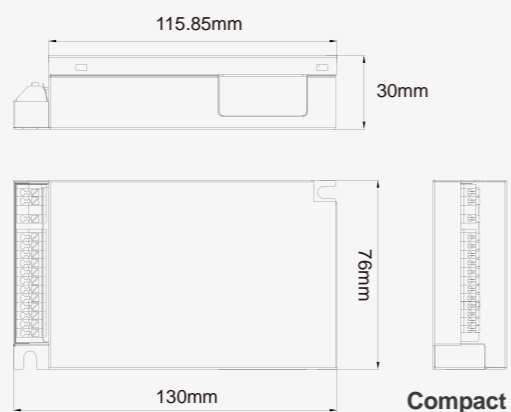
## 50W 4CH Series



### Key features

- CC** **Driver Type**  
Dimmable constant current LED driver
- Optional Dimming Curve**  
Logarithm, linear, square or gamma2.2
- NFC** **NFC technology**  
to program the driver
- IP Rating**  
IP20 design
- Dimming Range**  
0.1%–100% dimming range with DMX(RDM) (including 0% off)
- Dimming Function**  
Support colorful and dynamic lighting control (RGB/RGBW)
- Flickers Free**  
Meet CEC title 24 JA10/ IEEE PAR 1789-2015
- Warranty**  
5 years

### Mechanical Drawings



### Certifications

Product Model	UL/cUL	CE	ENEC
MU050S105DQI810	Class P	●	●
MU050S105DQI850	Class P	●	●

### Electrical Specifications

Product Model	Power (W)	Input Range (VAC)	Iout Range (mA)	Vout Range (VDC)	DMX (RDM)	Form Factor	Dimension (mm)
MU050S105DQI810	50	100~277	200-1050	8-50	●	Compact	130*76*30
MU050S105DQI850	50	100~277	200-1050	8-50	●	Independent	152.5*76*30

\* Common-anode or common-cathode configurations are not acceptable.

Ideal for retail, hospitality, culture & art, commercial and etc.

DMX(RDM) Slim form factor

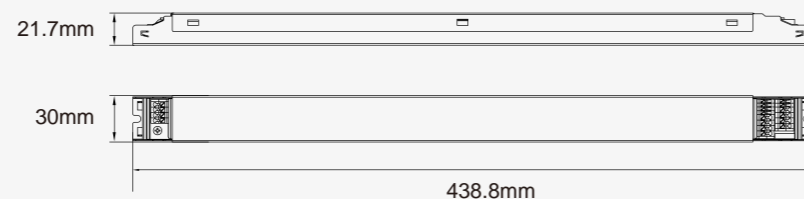
# 50W 4CH Series



## Key features

- CC** **Driver Type**  
Dimmable constant current LED driver
- Optional Dimming Curve**  
Logarithm, linear, square or gamma2.2
- NFC** **NFC technology**  
to program the driver
- IP Rating**  
IP20 design
- Dimming Range**  
0.1%–100% dimming range with DMX(RDM) (including 0% off)
- Dimming Function**  
Support colorful and dynamic lighting control (RGB/RGBW)
- Flickers Free**  
Meet CEC title 24 JA10/ IEEE PAR 1789-2015
- Warranty**  
5 years

## Mechanical Drawings



## Certifications

Product Model	UL/cUL	CE	ENEC
MU050S105DQI800	Class P	●	●

## Electrical Specifications

Product Model	Power (W)	Input Range (VAC)	Output Range (mA)	Vout Range (VDC)	DMX (RDM)	Form Factor	Dimensions (mm)
MU050S105DQI800	50	100–277	200–1050	8–50	●	Slim	438.8*30*21.7

\* Common-anode or common-cathode configurations are not acceptable.

Ideal for hue linear fixtures.



DMX(RDM) Stick form factor

# 85W 4CH Series



## Key features

- CC** **Driver Type**  
Dimmable constant current LED driver

**Optional Dimming Curve**  
Linear + logarithm or gamma2.2

**DMX interface**  
for firmware upgrade and programming

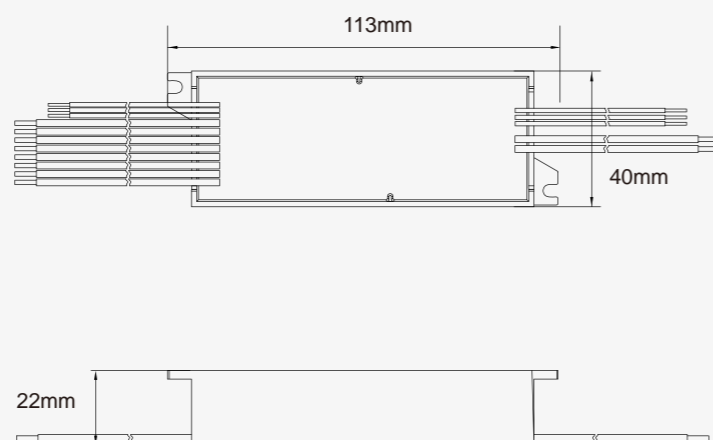
**IP Rating**  
IP66 design
- Dimming Range**  
0.1%–100% dimming range with DMX(RDM) (including 0% off)

**Dimming Function**  
Support colorful and dynamic lighting control (RGB/RGBW)

**Flickers Free**  
Meet CEC title 24 JA10/ IEEE PAR 1789-2015

**Warranty**  
5 years

## Mechanical Drawings



## Certifications

Product Model	UL/cUL	CE	ENEC	CCC
PR085N070DQ_DMx	RU	●	●	●

## Electrical Specifications

Product Model	Power (W)	Input Range (VDC)	Output Range (mA)	Vout Range (VDC)	DMX (RDM)	Form Factor	Dimensions (mm)
PR085N070DQ_DMx	85	20-60	200-700	8-52	●	Stick	113*40*22

\* Common-anode or common-cathode configurations are not acceptable.

Ideal for retail, hospitality, commercial, architectural landscape.

DMX(RDM) Slim form factor

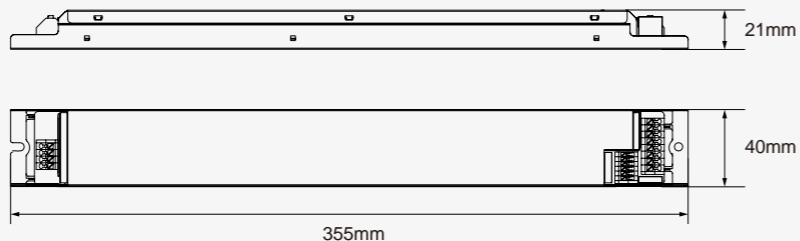
# 100W 4CH Series



## Key features

- CC** **Driver Type**  
Dimmable constant current LED driver
- Dimming Range**  
0.1%–100% dimming range with DMX(RDM) (including 0% off)
- Optional Dimming Curve**  
Logarithm, linear, square or gamma2.2
- Dimming Function**  
Support colorful and dynamic lighting control (RGB/RGBW)
- NFC** **NFC technology**  
to program the driver
- Flickers Free**  
Meet CEC title 24 JA10/ IEEE PAR 1789-2015
- IP Rating**  
IP20 design
- Warranty**  
5 years

## Mechanical Drawings



## Certifications

Product Model	CE
MU100S210DQI600	●

## Electrical Specifications

Product Model	Power (W)	Input Range (VAC)	Iout Range (mA)	Vout Range (VDC)	DMX (RDM)	Form Factor	Dimension (mm)
MU100S210DQI600	100	100~277	200-2100	8-55	●	Slim	355*40*21

Ideal for hue linear fixtures.

DMX(RDM) Stick form factor

# 240W 5CH Series



## Key features

- CV** **Driver Type**  
Dimmable constant voltage LED driver

**Optional Dimming Curve**  
Logarithm, linear, square or gamma2.2

**DMX interface**  
for firmware upgrade and programming

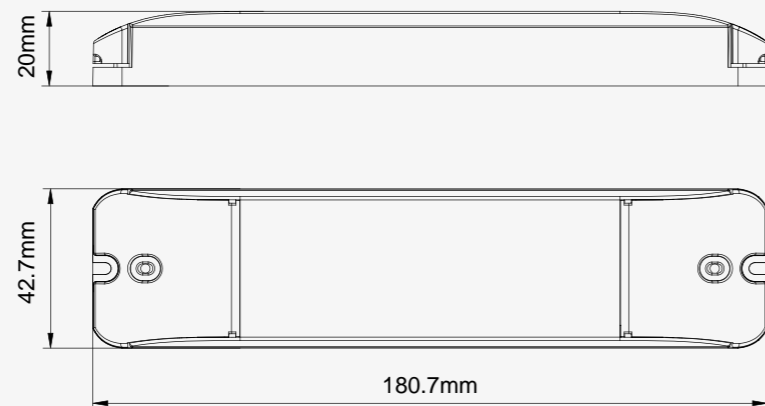
**IP Rating**  
IP20 design
- Dimming Range**  
0.1%–100% dimming range with DMX(RDM) (including 0% off)

**Dimming Function**  
Support colorful and dynamic lighting control (RGB/RGBW)

**Flickers Free**  
Meet CEC title 24 JA10/ IEEE PAR 1789-2015

**Warranty**  
5 years

## Mechanical Drawings



### Precautions:

- Output loads as far as possible only LED, resistor or diode and part of the TVS protection circuit.
- Output loads do not include capacitive loads.
- LED load circuit such as active constant current circuit, please cooperate with the sample to verify.
- The response speed of some constant current circuits may affect the dimming performance.

## Electrical Specifications

Product Model	Power (W)	Input Range (VDC)	Output Range (mA)	Vout Range (VDC)	DMX (RDM)	Form Factor	Dimension (mm)
PD240S048EPI850	240	12-48	10000MAX	12-48	●	Stick	180.7*42.7*20

Ideal for hue LED strip lighting.

Popular in Japanese market



0-10V Ultra-compact form factor

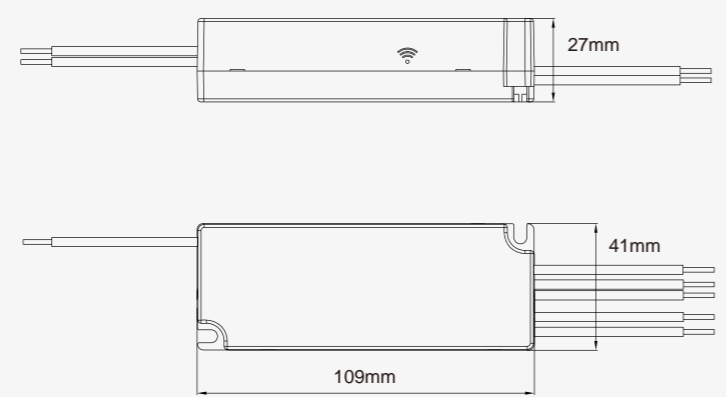
# 20W 1CH Series



## Key features

- CC** Driver Type  
Dimmable constant current LED driver
- Dimming Range**  
0.1%–100% dimming range with 0-10V (including 0% off)
- Optional Dimming Curve**  
Logarithm or linear
- Flickers Free**  
Meet CEC title 24 JA10/ IEEE PAR 1789-2015
- NFC** NFC technology  
to program the driver
- Warranty**  
5 years
- 12V/60mA**  
Auxiliary Output
- IP Rating**  
IP20 design

## Mechanical Drawings



## Certifications

Product Model	UL/cUL
PU020S105AQI091	Class P

## Electrical Specifications

Product Model	Power (W)	Input Range (VAC)	Iout Range (mA)	Vout Range (VDC)	0-10V	Auxiliary Output	Form Factor	Dimension (mm)
PU020S105AQI091	20	100–277	150-1050	8-54	●	●	Ultra-compact	109*41*27

Ideal for office, retail, hospitality.

0-10V Slim form factor

# 50W 1CH Series



## Key features

- CC** **Driver Type**  
Dimmable constant current LED driver
- Optional Dimming Curve**  
Logarithm or linear
- NFC** **NFC technology**  
to program the driver
- 12V/56mA**  
Auxiliary Output
- Dimming Range**  
0.1%–100% dimming range with 0-10V (including 0% off)
- Flickers Free**  
Meet CEC title 24 JA10/ IEEE PAR 1789-2015
- Warranty**  
5 years
- IP Rating**  
IP20 design

## Mechanical Drawings



## Certifications

Product Model	UL/cUL	CE	ENEC
MU050S210AQI201	Class P	●	●

## Electrical Specifications

Product Model	Power (W)	Input Range (VAC)	Output Range (mA)	Vout Range (VDC)	0-10V	Auxiliary Output	Form Factor	Dimension (mm)
MU050S210AQI201	50	100~277	200-2100	8-54	●	●	Slim	408*30*21

Ideal for office, retail, hospitality.



0-10V Slim form factor

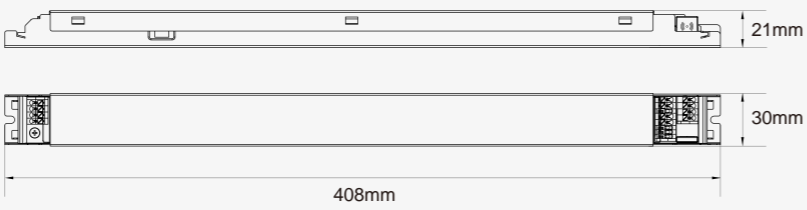
# 75W 1CH Series



## Key features

- CC** **Driver Type**  
Dimmable constant current LED driver
- Dimming Range**  
0.1%–100% dimming range with 0-10V (including 0% off)
- Optional Dimming Curve**  
Logarithm or linear
- Flickers Free**  
Meet CEC title 24 JA10/ IEEE PAR 1789-2015
- NFC** **NFC technology**  
to program the driver
- Warranty**  
5 years
- 12V/56mA**  
Auxiliary Output
- IP Rating**  
IP20 design

## Mechanical Drawings



## Certifications

Product Model	UL/cUL	CE	ENEC
MU075S210AQI201	Class P	●	●

## Electrical Specifications

Product Model	Power (W)	Input Range (VAC)	Output Range (mA)	Vout Range (VDC)	0-10V	Auxiliary Output	Form Factor	Dimension (mm)
MU075S210AQI201	75	100~277	200-2100	8-54	●	●	Slim	408*30*21

Ideal for office, retail, hospitality.












0-10V Ultra-compact form factor

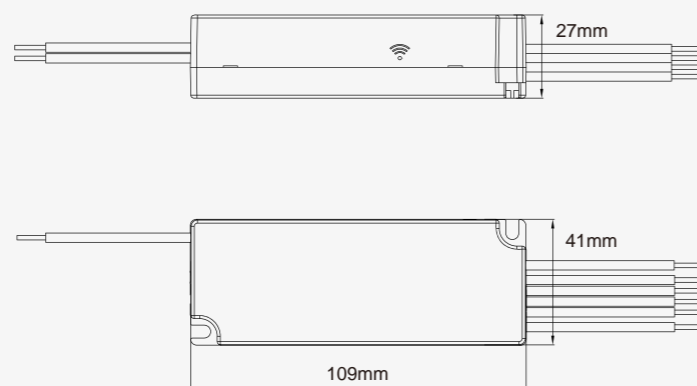
## 20W 2CH Series



### Key features

-  **Driver Type**  
Dimmable constant current LED driver
-  **Dimming Range**  
0.1%–100% dimming range with 0-10V (including 0% off)
-  **Optional Dimming Curve**  
Logarithm or linear
-  **Tunable white & Dim to warm**  
Single signal or dual signal
-  **NFC technology**  
to program the driver
-  **Flickers Free**  
Meet CEC title 24 JA10/ IEEE PAR 1789-2015
-  **12V/60mA**  
Auxiliary Output
-  **Warranty**  
5 years
-  **IP Rating**  
IP20 design

### Mechanical Drawings



### Certifications

Product Model	UL/cUL
PU020S105BQI291	Class P

### Electrical Specifications

Product Model	Power (W)	Input Range (VAC)	Iout Range (mA)	Vout Range (VDC)	0-10V	Auxiliary Output	Form Factor	Dimension (mm)
PU020S105BQI291	20	100~277	150-1050	8-54	●	●	Ultra-compact	109*41*27

\* Common-anode or common-cathode configurations are not acceptable.

Ideal for office, retail, hospitality.



0-10V Compact form factor

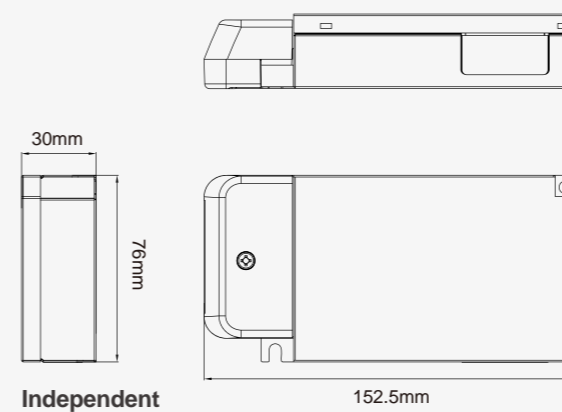
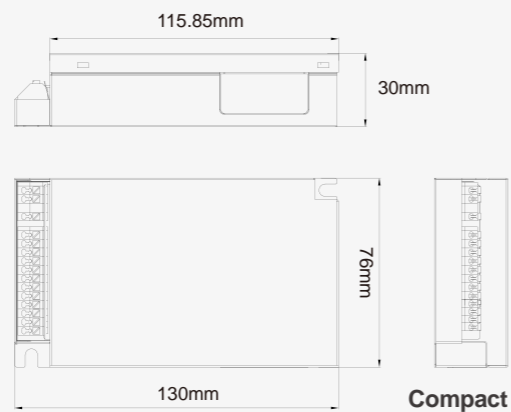
# 50W 2CH Series



## Key features

- CC** **Driver Type**  
Dimmable constant current LED driver
- Optional Dimming Curve**  
Logarithm or linear
- NFC** **NFC technology**  
to program the driver
- 12V/100mA**  
Auxiliary Output
- IP Rating**  
IP20 design
- Dimming Range**  
0.1%–100% dimming range with 0-10V (including 0% off)
- Tunable white & Dim to warm**  
Single signal or dual signal
- Flickers Free**  
Meet CEC title 24 JA10/ IEEE PAR 1789-2015
- Warranty**  
5 years

## Mechanical Drawings



## Certifications

Product Model	UL/cUL	CE	ENEC	PSE	CCC
MU050S150BQI211	Class P	●	●	●	
MU050S150BQI251	Class P	●	●	●	●

## Electrical Specifications

Product Model	Power (W)	Input Range (VAC)	Output Range (mA)	Vout Range (VDC)	0-10V	Auxiliary Output	Form Factor	Dimension (mm)
MU050S150BQI211	50	100~277	200-1500	8-55	●	●	Compact	150*76*36
MU050S150BQI251	50	100~277	200-1500	8-55	●	●	Independent	152.38*76*30

Ideal for office, retail, hospitality, culture & art, healthcare, commercial.

0-10V Back feed / Side feed form factor

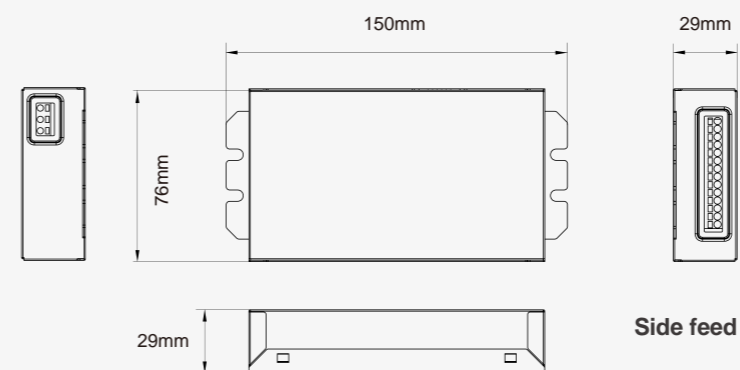
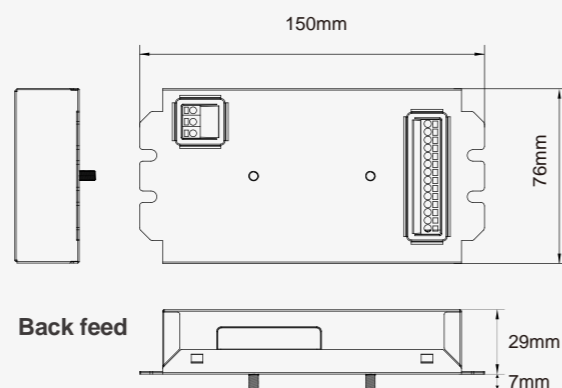
# 50W 2CH Series



## Key features

- CC** Driver Type  
Dimmable constant current LED driver
- Dimming Range**  
0.1%–100% dimming range with 0-10V (including 0% off)
- Optional Dimming Curve**  
Logarithm or linear
- Tunable white & Dim to warm**  
Single signal or dual signal
- NFC** NFC technology  
to program the driver
- Flickers Free**  
Meet CEC title 24 JA10/ IEEE PAR 1789-2015
- 12V/15mA**  
Auxiliary Output
- Warranty**  
5 years
- IP Rating**  
IP20 design

## Mechanical Drawings



## Certifications

Product Model	UL/cUL
MU050S150BQI226	Class P
MU050S150BQI236	Class P

## Electrical Specifications

Product Model	Power (W)	Input Range (VAC)	Output Range (mA)	Vout Range (VDC)	0-10V	Auxiliary Output	Form Factor	Dimension (mm)
MU050S150BQI226	50	100~277	200-1500	8-55	●	●	Back feed	150*76*36
MU050S150BQI236	50	100~277	200-1500	8-55	●	●	Side feed	150*76*29

Ideal for office, retail, hospitality, culture & art, commercial.

0-10V Slim form factor

# 50W 2CH Series



## Key features

- CC** **Driver Type**  
Dimmable constant current LED driver
- Dimming Range**  
0.1%–100% dimming range with 0-10V (including 0% off)
- Optional Dimming Curve**  
Logarithm or linear
- Tunable white & Dim to warm**  
Single signal or dual signal
- NFC** **NFC technology**  
to program the driver
- Flickers Free**  
Meet CEC title 24 JA10/ IEEE PAR 1789-2015
- 12V/100mA or 12V/56mA**  
Auxiliary Output
- Warranty**  
5 years
- IP Rating**  
IP20 design

## Mechanical Drawings



## Certifications

Product Model	UL/cUL	CE	ENEC	PSE
MU050S150BQI201	Class P	●	●	●
MU050S210BQI201	Class P	●	●	

## Electrical Specifications

Product Model	Power (W)	Input Range (VAC)	Iout Range (mA)	Vout Range (VDC)	0-10V	Auxiliary Output	Form Factor	Dimensions (mm)
MU050S150BQI201	50	100~277	200-1500	8-55	●	12V/100mA	Slim	408*30*21
MU050S210BQI201	50	100~277	200-2100	8-54	●	12V/56mA	Slim	408*30*21

\* For MU050S210BQI201, common-anode or common-cathode configurations are not acceptable.

Ideal for linear fixtures.

0-10V Slim form factor

# 75W 2CH Series



## Key features

- CC** **Driver Type**  
Dimmable constant current LED driver
- Dimming Range**  
0.1%–100% dimming range with 0-10V (including 0% off)
- Optional Dimming Curve**  
Logarithm or linear
- Tunable white & Dim to warm**  
Single signal or dual signal
- NFC** **NFC technology**  
to program the driver
- Flickers Free**  
Meet CEC title 24 JA10/ IEEE PAR 1789-2015
- 12V/56mA**  
Auxiliary Output
- Warranty**  
5 years
- IP Rating**  
IP20 design

## Mechanical Drawings



## Certifications

Product Model	UL/cUL	CE	ENEC
MU075S210BQI201	Class P	●	●

## Electrical Specifications

Product Model	Power (W)	Input Range (VAC)	Iout Range (mA)	Vout Range (VDC)	0-10V	Auxiliary Output	Form Factor	Dimension (mm)
MU075S210BQI201	75	100~277	200-2100	8-54	●	●	Slim	408*30*21

\* Common-anode or common-cathode configurations are not acceptable.

Ideal for linear fixtures.

0-10V Slim form factor

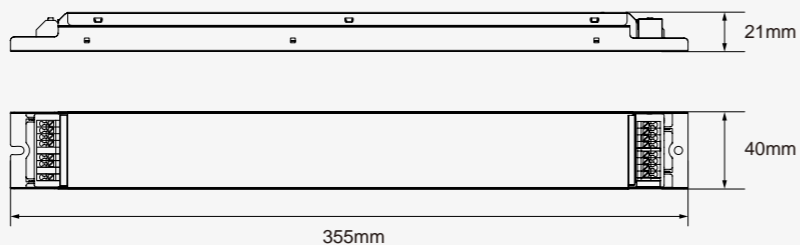
# 100W 4CH Series



## Key features

- CC** **Driver Type**  
Dimmable constant current LED driver
- Dimming Range**  
0.1%–100% dimming range with 0-10V (including 0% off)
- Optional Dimming Curve**  
Logarithm or linear
- Tunable white & Dim to warm**  
Single signal or dual signal
- NFC** **NFC technology**  
to program the driver
- Flickers Free**  
Meet CEC title 24 JA10/ IEEE PAR 1789-2015
- 12V/60mA**  
Auxiliary Output
- Warranty**  
5 years
- IP Rating**  
IP20 design

## Mechanical Drawings



## Certifications

Product Model	CE
MU100S210DQI201	●

## Electrical Specifications

Product Model	Power (W)	Input Range (VAC)	Iout Range (mA)	Vout Range (VDC)	0-10V	Auxiliary Output	Form Factor	Dimension (mm)
MU100S210DQI201	100	100~277	200-2100	8-55	●	●	Slim	355*40*21

Ideal for linear fixtures.

Phase-cut Bracket form factor

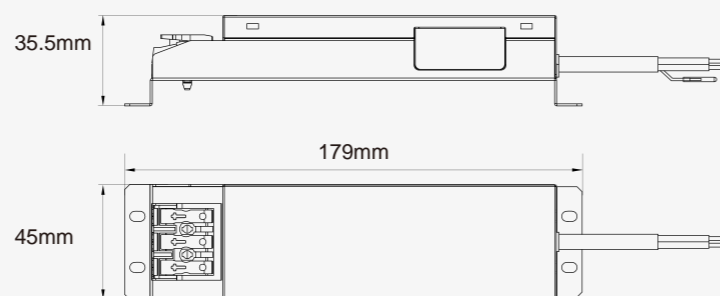
# 12/20/35W 1CH Series



## Key features

- CC** **Driver Type**  
Dimmable constant current LED driver
- Dimming Range**  
0.1%–100% dimming range with Phase-cut (including 0% off)
- Optional Dimming Curve**  
Logarithm or linear or gamma
- Flickers Free**  
Meet CEC title 24 JA10/ IEEE PAR 1789-2015
- NFC** **NFC technology**  
to program the driver
- Warranty**  
5 years
- IP Rating**  
IP20 design

## Mechanical Drawings



## Certifications

Product Model	PSE
MU012S105AQIB70	●
MU020S105AQIB70	●
MU035S105AQIB70	●

## Electrical Specifications

Product Model	Power (W)	Input Range (VAC)	Output Range (mA)	Vout Range (VDC)	Phase-cut	Form Factor	Dimension (mm)
MU012S105AQIB70	12	100~240	150-1050	2.5-12	Available at 100-120VAC	Bracket	179*45*35.5
MU020S105AQIB70	20	100~240	150-1050	8-54	Available at 100-120VAC	Bracket	179*45*35.5
MU035S105AQIB70	35	100~240	150-1050	8-54	Available at 100-120VAC	Bracket	179*45*35.5

Ideal for office, retail, hospitality.  
Popular in Japanese market

Phase-cut + 0-10V Side feed / Back feed form factor

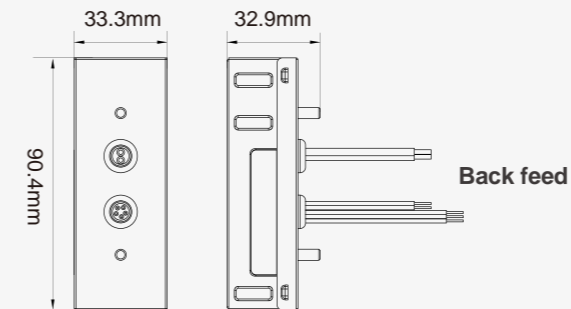
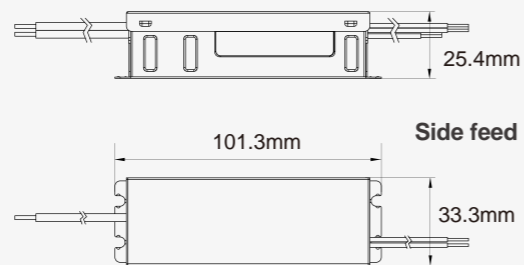
# 12/22W 1CH Series



## Key features

- CC** **Driver Type**  
Dimmable constant current LED driver
- Dimming Range**  
0.1%–100% dimming range with phase-cut + 0-10V (including 0% off)
- Optional Dimming Curve**  
Logarithm or linear
- Flickers Free**  
Meet CEC title 24 JA10/ IEEE PAR 1789-2015
- NFC** **NFC technology**  
to program the driver
- Warranty**  
5 years
- IP Rating**  
IP20 design

## Mechanical Drawings



## Certifications

Product Model	UL/cUL
MU012S035AQIA20	Class P
MU012S035AQIA30	Class P
MU022S105AQIA20	Class P
MU022S105AQIA30	Class P

## Electrical Specifications

Product Model	Power (W)	Input Range (VAC)	Iout Range (mA)	Vout Range (VDC)	0-10V	Phase-cut	Form Factor	Dimension (mm)
MU012S035AQIA20	12	100~277	100-350	8-54	●	Available at 100-120VAC	Back feed	90.4*33.3*32.9
MU012S035AQIA30	12	100~277	100-350	8-54	●	Available at 100-120VAC	Side feed	101.3*33.3*25.4
MU022S105AQIA20	22	100~277	150-1050	8-54	●	Available at 100-120VAC	Back feed	90.4*33.3*32.9
MU022S105AQIA30	22	100~277	150-1050	8-54	●	Available at 100-120VAC	Side feed	101.3*33.3*25.4

Ideal for office, retail, hospitality.



Phase-cut + 0-10V Ultra-compact form factor

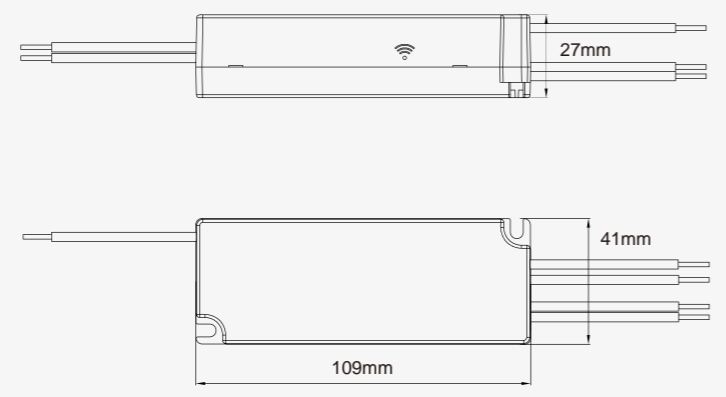
# 12/35W 1CH Series



## Key features

- CC** **Driver Type**  
Dimmable constant current LED driver
- Dimming Range**  
0.1%–100% dimming range with phase-cut + 0-10V (including 0% off)
- Optional Dimming Curve**  
Logarithm or linear
- Flickers Free**  
Meet CEC title 24 JA10/ IEEE PAR 1789-2015
- NFC** **NFC technology**  
to program the driver
- Warranty**  
5 years
- IP Rating**  
IP20 design

## Mechanical Drawings



## Certifications

Product Model	UL/cUL
PU012S053AQIA90	Class P
PU035S105AQIA90	Class P

## Electrical Specifications

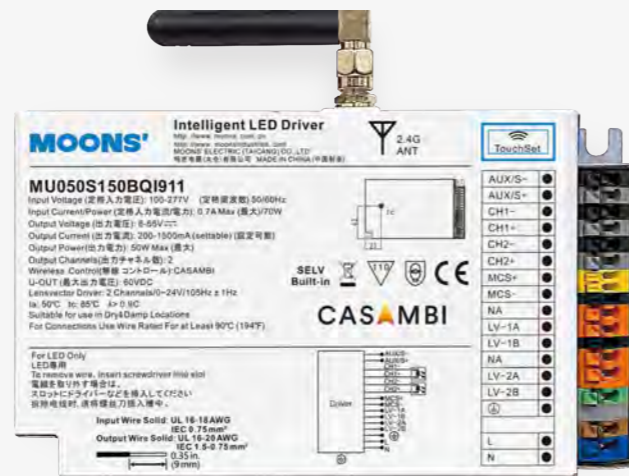
Product Model	Power (W)	Input Range (VAC)	Iout Range (mA)	Vout Range (VDC)	0-10V	Phase-cut	Form Factor	Dimension (mm)
PU012S053AQIA90	12	100~277	150-530	8-54	●	Available at 100-120VAC	Ultra-compact	109*41*27
PU035S105AQIA90	35	100~277	150-1050	8-54	●	Available at 100-120VAC	Ultra-compact	109*41*27

Ideal for office, retail, hospitality.

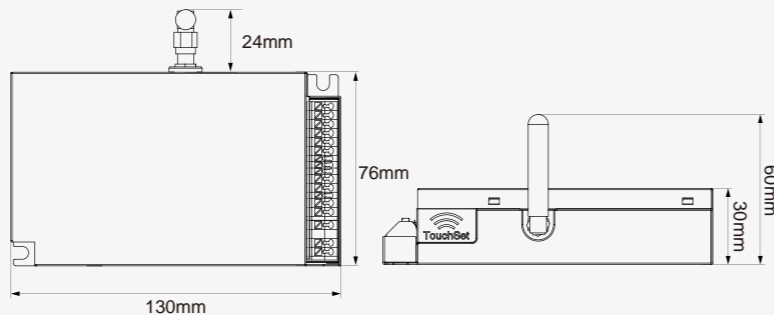


Bluetooth Compact form factor

# 50W 2CH Series



## Mechanical Drawings



## Certifications

Product Model	UL/cUL
MU050S150BQI911	Class P

Ideal for museum, exhibition, retail.

## Key features

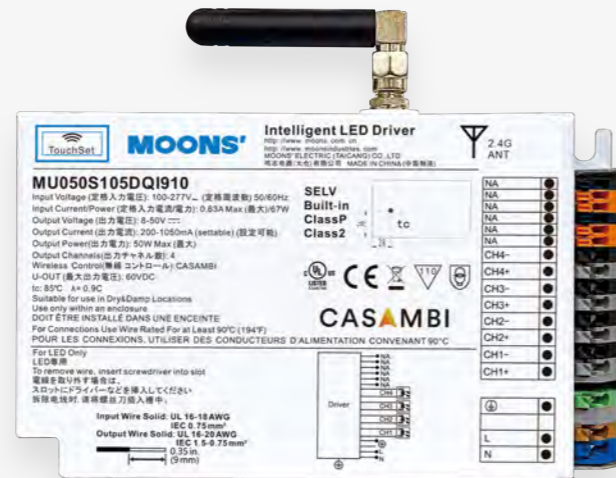
- CC Driver Type**  
Dimmable constant current LED driver
- Dimming Range**  
0.1%–100% dimming range with CASAMBI (including 0% off)
- Optional Dimming Curve**  
Logarithm, linear, square or gamma2.2
- Tunable white**  
Dual-channel (single address or dual addresses).
- CASAMBI built-in module**
- Lensvector Driver**  
Liquid crystal lens
- NFC technology**  
to program the driver
- Flickers Free**  
Meet CEC title 24 JA10/ IEEE PAR 1789-2015
- IP Rating**  
IP20 design
- Warranty**  
5 years

## Electrical Specifications

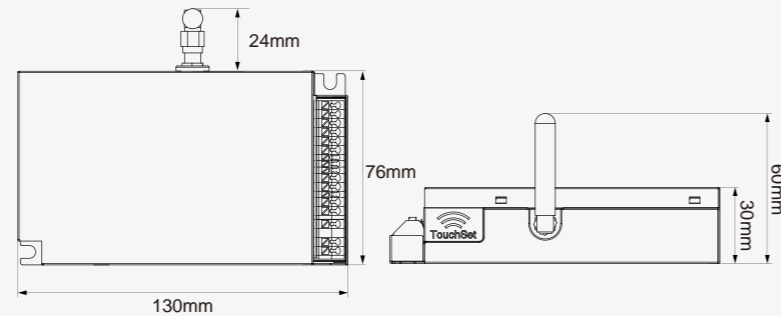
Product Model	Power (W)	Input Range (VAC)	Output Range (mA)	Vout Range (VDC)	BLE	CASAMBI	Form Factor	Dimension (mm)
MU050S150BQI911	50	100~277	200-1500	8-50	5.3	●	Compact	130*76*30

Bluetooth Compact form factor

# 50W 4CH Series



## Mechanical Drawings



## Certifications

Product Model	UL/cUL
MU050S105DQI910	Class P

## Key features

- CC Driver Type**  
Dimmable constant current LED driver
- Dimming Range**  
0.1%–100% dimming range with CASAMBI (including 0% off)
- Optional Dimming Curve**  
Logarithm or linear
- CASAMBI**  
built-in module
- Flickers Free**  
Meet CEC title 24 JA10/ IEEE PAR 1789-2015
- NFC technology**  
to program the driver
- Warranty**  
5 years
- IP Rating**  
IP20 design

## Electrical Specifications

Product Model	Power (W)	Input Range (VAC)	Output Range (mA)	Vout Range (VDC)	BLE	CASAMBI	Form Factor	Dimension (mm)
MU050S105DQI910	50	100~277	200-1050	8-50	5.3	●	Compact	130*76*30

\* Common-anode or common-cathode configurations are not acceptable.



Ideal for museum, exhibition, retail.

# Overview

## Explosion-proof LED Drivers

Star of Safe Lighting in Hazardous Environments

Explosion-proof drivers are designed to operate in hazardous environments where there is a high risk of explosions due to the presence of flammable gases, vapors, or dust. MOONS' explosion-proof LED drivers offer a unique combination of advanced technology, safety, and performance. They represent our commitment to providing innovative, reliable, and high-quality products for all environments.

Trust MOONS' for lighting solutions that illuminate your workspace safely and efficiently.

Dimming Range

0, 10% ~ 100%

Dimming Control

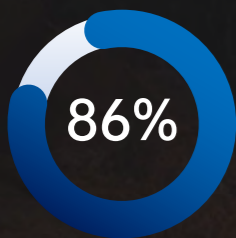
0-10V / DALI-2

Suitable for use in

**ZONE 1**

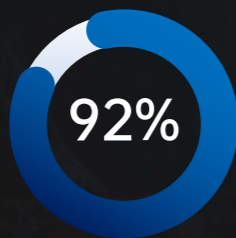
**35W**

High Efficiency



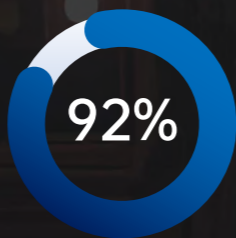
**100W**

High Efficiency



**165W**

High Efficiency



**Certification**



II 2 G Ex mb IIC Gb

## Dimmable Constant Current Driver

IEC60079-0

IEC60079-18

IEC61347-1

IEC61347-2-13

EN55015/FCC Part 15 Class B

EN6100-3-2 Class C

EN61000-3-3

EN61000-4-2,3,4,5,6,8,11

EN61547

CSA C22.2 NO .107.1

UL8750, UL1012, UL1310



work temperature

+90°C

-50°C

Low temperature rise  
easy to make Ex Luminaire  
to meet T5 code

**IP66 Design**

**Warranty 5 years**



**Power**

25W | 35W | 50W

**Dimension**

117x72x44 mm (25/35W)

122.5x80.5x43mm (50W)



**Power**

60W | 100W | 165W

**Dimension**

171.6x70x44 mm (60/100W)

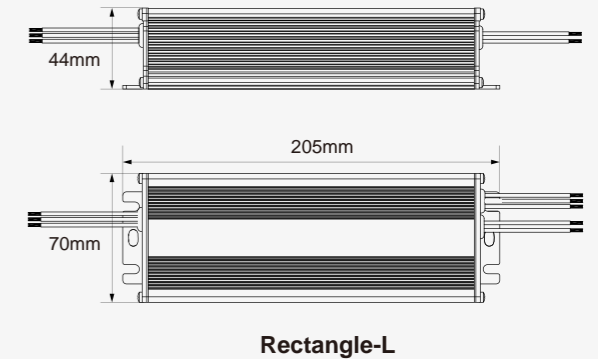
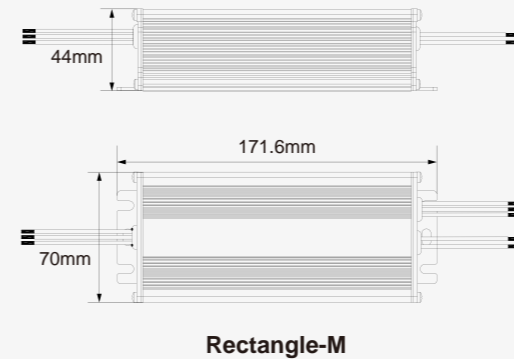
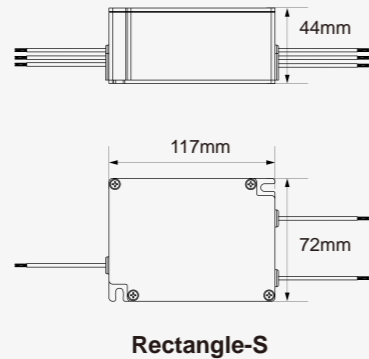
205x70x44 mm (165W)

0-10V Rectangle form factor

# 25/35/65/100/165W Ex Series



## Mechanical Drawings



## Certifications

Product Model	CE	CB	IECEX	ATEX
MU025H105AQ_MB/AUX	●	●	●	●
MU035H053AQ_MB/AUX	●	●	●	●
MU035H105AQ_MB/AUX	●	●	●	●
MU060H105AQ_MB/AUX	●	●	●	●
MU100H080AQ_MB/AUX	●	●	●	●
MU100H120AQ_MB/AUX	●	●	●	●
MU100H280AQ_MB/AUX	●	●	●	●
MU163H105AQ_MB/AUX	●	●	●	●
MU163H150AQ_MB/AUX	●	●	●	●

## Key features

**CC** Driver Type  
Dimmable constant current LED driver

**Dimming Range**  
10%–100% dimming range with 0-10V / PWM (including 0% off)

**IEC** Complies with  
IEC60079-18

**12V/300mA**  
Auxiliary Output

**IP Rating**  
IP66 design

**Warranty**  
5 years

## Electrical Specifications

Product Model	Power (W)	Input Range (VAC)	Output Range (mA)	Vout Range (VDC)	0-10V	Auxiliary Output	Form Factor	Dimension (mm)
MU025H105AQ_MB/AUX	25	100-277	300-1050	18-48	●	●	Rectangle-S	117*72*44
MU035H053AQ_MB/AUX	35	100-277	35-530	40-100	●	●	Rectangle-S	117*72*44
MU035H105AQ_MB/AUX	35	100-277	300-1050	20-50	●	●	Rectangle-S	117*72*44
MU060H105AQ_MB/AUX	60	100-277	300-1050	24-86	●	●	Rectangle-M	171.6*70*44
MU100H080AQ_MB/AUX	100	100-277	240-800	75-188	●	●	Rectangle-M	171.6*70*44
MU100H120AQ_MB/AUX	100	100-277	360-1200	48-125	●	●	Rectangle-M	171.6*70*44
MU100H280AQ_MB/AUX	100	100-277	900-2800	22-54	●	●	Rectangle-M	171.6*70*44
MU163H105AQ_MB/AUX	165	100-277	300-1050	94-245	●	●	Rectangle-L	205*70*44
MU163H150AQ_MB/AUX	165	100-277	450-1500	66-165	●	●	Rectangle-L	205*70*44

Ideal for  
Zone 1/2 or Zone 21/22 areas

DALI Rectangle form factor

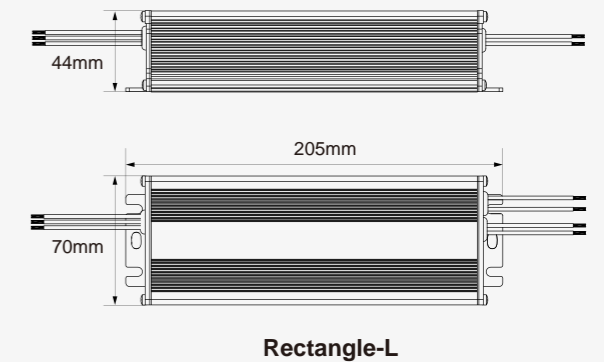
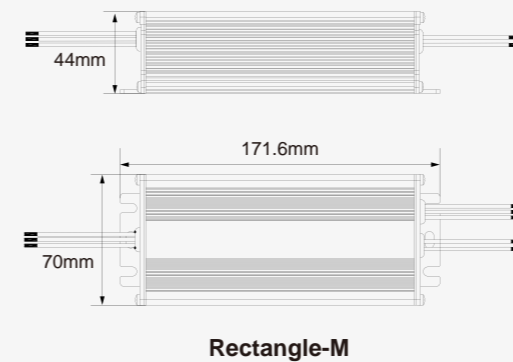
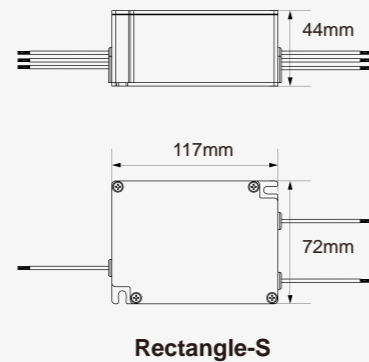
# 25/35/60/100/163W Ex Series



## Key features

- CC Driver Type**  
Dimmable constant current LED driver
- Dimming Range**  
10%–100% dimming range with DALI-2 (including 0% off)
- IEC Complies with**  
IEC60079-18, IEC62386 Part 101,102,207 2.0 version
- DALI interface communicating technology**  
to program the driver
- IP Rating**  
IP66 design
- Warranty**  
5 years

## Mechanical Drawings



## Certifications

Product Model	CE	CB	IECEX	ATEX
MU025H105AQ_MB/DALI	●	●	●	●
MU035H105AQ_MB/DALI	●	●	●	●
MU060H105AQ_MB/DALI	●	●	●	●
MU100H120AQ_MB/DALI	●	●	●	●
MU163H105AQ_MB/DALI	●	●	●	●
MU163H150AQ_MB/DALI	●	●	●	●

## Electrical Specifications

Product Model	Power (W)	Input Range (VAC)	Output Range (mA)	Vout Range (VDC)	0-10V	Form Factor	Dimension (mm)
MU025H105AQ_MB/DALI	25	100~277	300-1050	18-48	●	Rectangle-S	117*72*44
MU035H105AQ_MB/DALI	35	100~277	300-1050	20-50	●	Rectangle-S	117*72*44
MU060H105AQ_MB/DALI	60	100~277	300-1050	24-86	●	Rectangle-M	171.6*70*44
MU100H120AQ_MB/DALI	100	100~277	360-1200	48-125	●	Rectangle-M	171.6*70*44
MU163H105AQ_MB/DALI	165	100~277	300-1050	94-245	●	Rectangle-L	205*70*44
MU163H150AQ_MB/DALI	165	100~277	450-1500	66-165	●	Rectangle-L	205*70*44

Ideal for  
Zone 1/2 or Zone 21/22 areas



Non-dimmable Rectangle form factor

# 25/35/50/60/100/163W Ex Series



## Key features

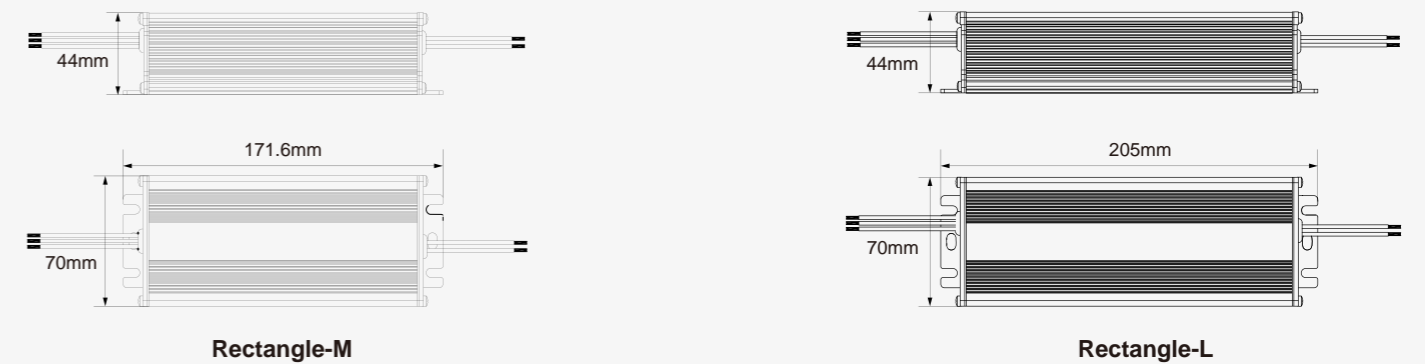
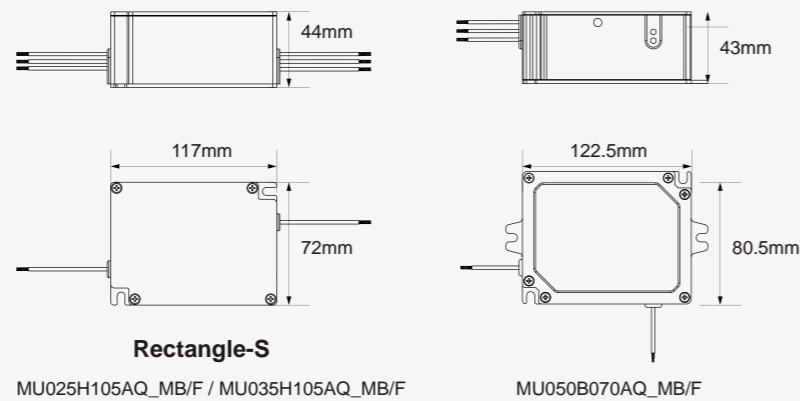
**Non** Driver Type  
Non-dimmable LED driver

**IP Rating**  
IP66 design

**IEC** Complies with  
IEC60079-18

**Warranty**  
5 years

## Mechanical Drawings



## Certifications

Product Model	CE	CB	IECEX	ATEX
MU025H105AQ_MB/F	●	●	●	●
MU035H105AQ_MB/F	●	●	●	●
MU050B070AQ_MB/F	●	●	●	●
MU060H105AQ_MB/F	●	●	●	●
MU100H120AQ_MB/F	●	●	●	●
MU100H280AQ_MB/F	●	●	●	●
MU163H105AQ_MB/F	●	●	●	●
MU163H150AQ_MB/F	●	●	●	●

## Electrical Specifications

Product Model	Power (W)	Input Range (VAC)	Output Range (mA)	Vout Range (VDC)	Form Factor	Dimension (mm)
MU025H105AQ_MB/F	25	100-277	300«fixed lout«1050	18-48	Rectangle-S	117*72*44
MU035H105AQ_MB/F	35	100-277	300«fixed lout«1050	20-50	Rectangle-S	117*72*44
MU050B070AQ_MB/F	50	100-277	700	30-72	Rectangle-S	122.5*80.5*43
MU060H105AQ_MB/F	60	100-277	300«fixed lout«1050	24-86	Rectangle-M	171.6*70*44
MU100H120AQ_MB/F	100	100-277	360«fixed lout«1200	48-125	Rectangle-M	171.6*70*44
MU100H280AQ_MB/F	100	100-277	900«fixed lout«2800	22-54	Rectangle-M	171.6*70*44
MU163H105AQ_MB/F	163	100-277	300«fixed lout«1050	94-245	Rectangle-L	205*70*44
MU163H150AQ_MB/F	163	100-277	450«fixed lout«1500	66-165	Rectangle-L	205*70*44

Ideal for  
Zone 1/2 or Zone 21/22 areas

# Overview

## Emergency LED Drivers

Reliable Power · When It Matters Most

In critical moments, every second counts. Our Emergency LED Drivers are designed to deliver unwavering power, ensuring your lights stay on when you need them the most. With seamless integration into your existing lighting system, these drivers offer instant backup, providing reliable illumination during power outages or emergencies. Engineered with precision, they combine advanced technology with unmatched durability, guaranteeing performance you can trust.

Whether for safety, security, or peace of mind, MOONS' Emergency LED Drivers are the silent guardians that ensure your spaces remain lit, no matter the situation.



**Power**

25W | 30W

**Dimension**

170.9x67.5x40mm

Certification



II 2 G Ex mb [ib] IIC Gb

## Dimmable Constant Current Driver

IEC60079-0

EN55015/FCC Part 15 Class B

IEC60079-18

EN6100-3-2 Class C

IEC60079-11

EN61000-3-3

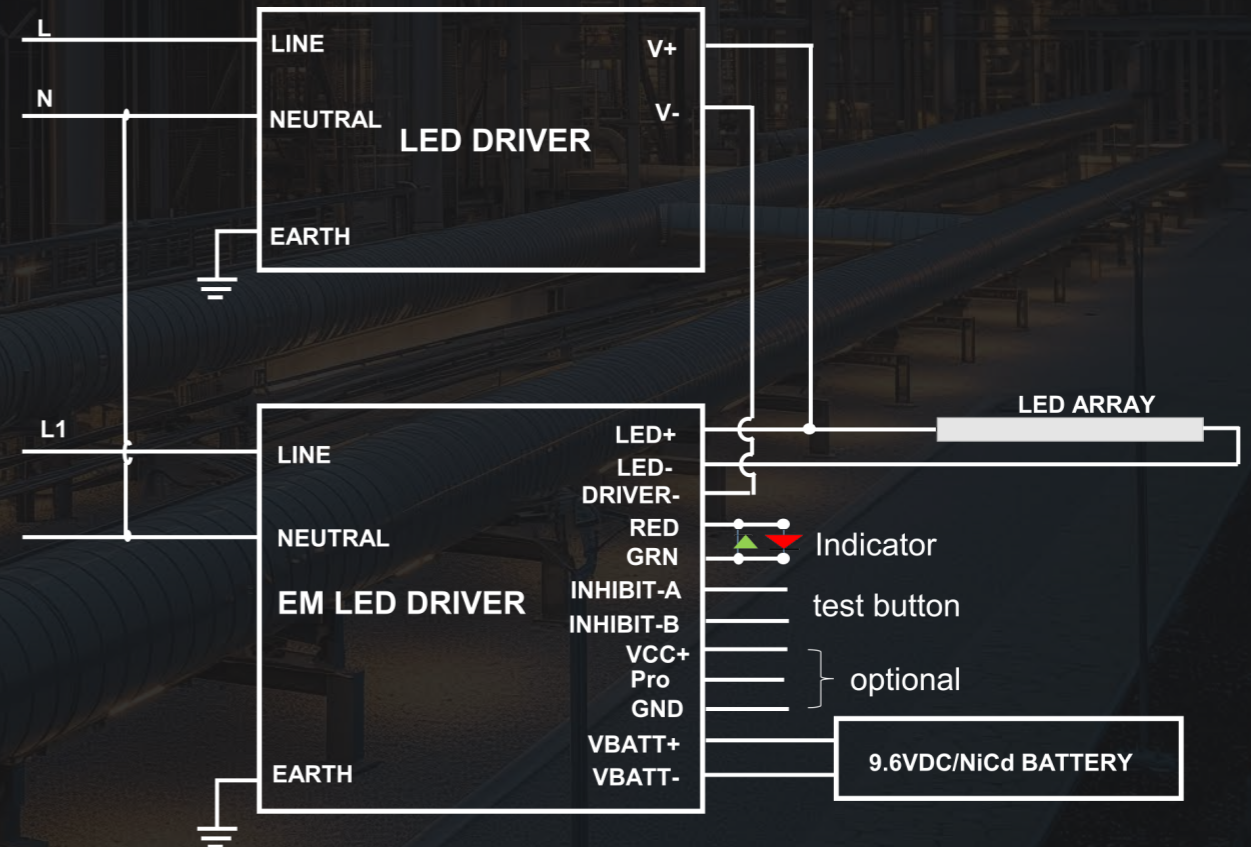
IEC61347-1

EN61000-4-2,3,4,5,6,8,11

IEC61347-2-7

EN61547

## Product Connection



Non-dimmable Rectangle form factor

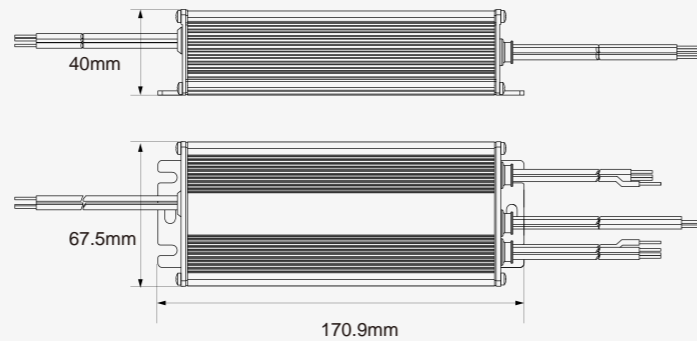
## 25/30W EM Series



### Key features

- Non** Driver Type  
Non-dimmable LED driver
- IP Rating**  
IP66 design
- Battery Management**  
Supported
- Emergency Switchover Function**  
Supported
- Auto Self-Diagnostic (Enable/Disable)**  
Supported
- Programmable Output Current**  
Supported

### Mechanical Drawings



### Certifications

Product Model	CE	CB	IECEX	ATEX
MU025H025AQ_MB/EM - 7.2V NiCD/NiMH	•	•	•	•
MU025H050AQ_MB/EM - 7.2V NiCD/NiMH	•	•	•	•
MU025H050AQ_MB/EM - 9.6V NiCD/NiMH	•	•	•	•
MU030H030AQ_MB/EM - 9.6V NiCD/NiMH	•	•	•	•

### Electrical Specifications

Product Model	Power (W)	Input Range (VAC)	Iout Range (mA)	Vout Range (VDC)	Form Factor	Dimension (mm)
MU025H025AQ_MB/EM - 7.2V NiCD/NiMH	25	100-277	50-250	50-188	Rectangle-M	170.9*67.5*40
MU025H050AQ_MB/EM - 7.2V NiCD/NiMH	25	100-277	150-500	24-86	Rectangle-M	170.9*67.5*40
MU025H050AQ_MB/EM - 9.6V NiCD/NiMH	25	100-277	150-500	24-86	Rectangle-M	170.9*67.5*40
MU030H030AQ_MB/EM - 9.6V NiCD/NiMH	30	100-277	100-300	70-188	Rectangle-M	170.9*67.5*40

Ideal for  
Zone 1/2 or Zone 21/22 areas

# Overview

## Sports Lighting LED Drivers

Fast and Steady · Star of Professional Sports Lighting



MOONS' Sports Lighting LED Drivers offer powerful, reliable, and energy-efficient solutions for large-scale outdoor lighting. Designed to handle outdoor conditions, these drivers provide precise control and customizable settings for optimal lighting performance. They meet all relevant safety standards, ensuring a dependable and high-quality lighting solution for any event.



Flicker-free

**40FPS**

Strobe Effect

**96%**

Efficiency

**50°C**

High Ta

**10KV**

Surge Level  
L-N & L/N-FG

**<1%**

Low Current  
Ripple

Dimming Control  
**DALI & DMX(RDM)**

Dimming Range  
**0, 1-100%**



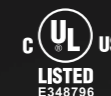
Logarithm or linear  
optional dimming Curve

**IP66**  
Design

Warranty  
**5 years**

**Dimmable Constant Current LED Driver**

**600W/CH**

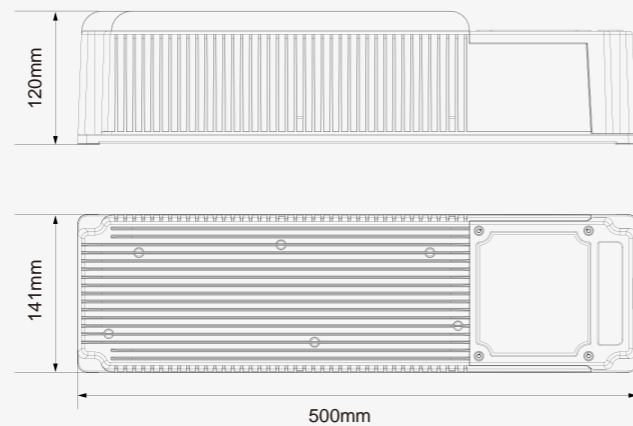


DALI+DMX(RDM) Brick form factor

# 1200/1800W 2/3CH Series



## Mechanical Drawings



## Certifications

Product Model	UL	CE	CB	ENEC	RCM
MT1200H200BQI780		●	●	●	●
MT1800H200CQI780	●	●	●	●	●
MT1200H210BQI7820		●	●	●	●
MT1800H210CQI7820	●	●	●	●	●

## Key features

- CC Driver Type**  
Dimmable constant current LED driver
- Dimming Range**  
0.1%–100% dimming range with DALI / DMX(RDM) (including 0% off)
- Optional Dimming Curve**  
Logarithm or linear
- Flickers Free**  
Meet CEC title 24 JA10/ IEEE PAR 1789-2015
- 15V/60mA + 24V/125mA**  
DALI Power + Auxiliary Output
- Standby Power**  
<0.5W
- No afterglow**  
when switched off
- Warranty**  
5 years
- IP Rating**  
IP20 design

## Electrical Specifications

Product Model	Power (W)	Input Range (VAC)	Iout Range (mA)	Vout Range (VDC)	DALI Power	Auxiliary Output	DALI-2 + D4i	DMX (RDM)	Form Factor	Dimension (mm)
MT1200H200BQI780	1200	198–440	60-2000	160-500	●	●	●	●	Brick	500*141*120
MT1800H200CQI780	1800	198–440	60-2000	160-500	●	●	●	●	Brick	500*141*120
MT1200H210BQI7820	1200	198–528	30-2100	160-500	●	●	●	●	Brick	500*141*120
MT1800H210CQI7820	1800	198–528	30-2100	160-500	●	●	●	●	Brick	500*141*120

Ideal for professional stadium and other sports applications.