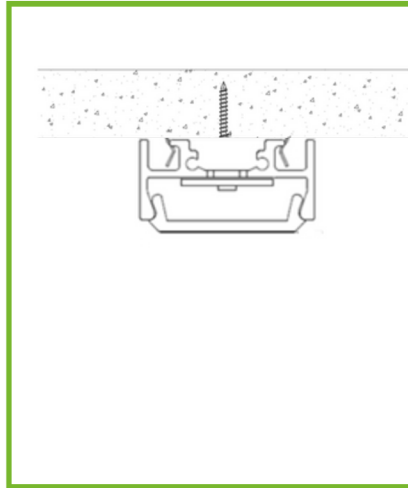
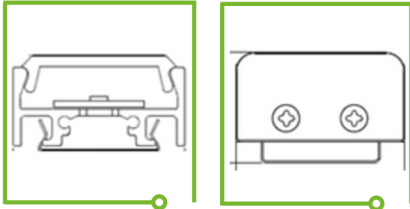


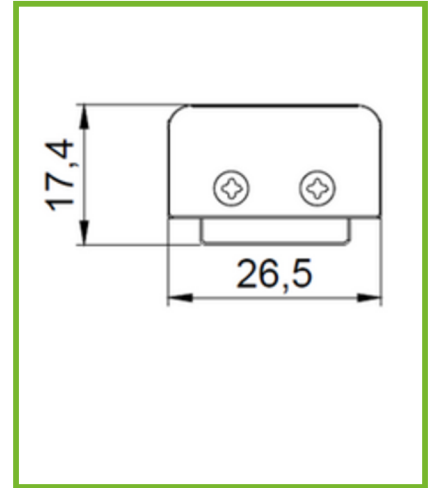
Aluminium Profile - Down Only

Product Description :

- Extruded Aluminium profile
- Down Only to be surface mounted or suspended
- Designed for LEDiL LINDA-24.
- To be used with a zhaga pcb or a pcb of maximum width of 24mm
- Driver is remote
- Supplied in 2500mm sections
- Colors: Aluminum finish, other colours on demand..
- Easy assembly with a complete set of end caps and clips.



Installation



Dimensions

LIST OF ARTICLES

- TP31-01-2500 TP-31 Main Profile
- TP31-02 Pair of End Caps
- TP31-03 Surface Mounted Bracket (per unit)

LINDA-24 BEAMS:

