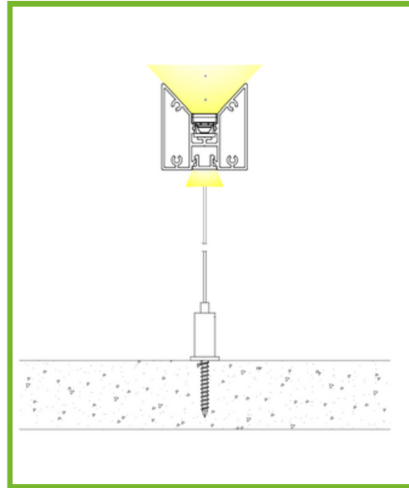




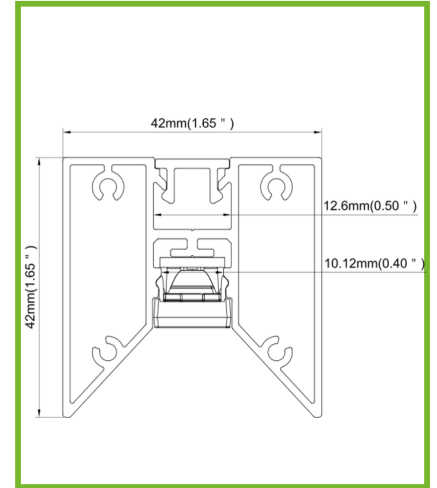
Aluminium Profile - Up And Down

Product Description :

- Extruded Aluminium profile
- Down Only or up and down, to be suspended
- Designed for LEDiL DALINE-10 of the down and PC diffuser for the up.
- To be used with a custom PCB for LEDiL DALINE-10
- Driver is remote
- Supplied in 2500mm sections / other lengths on demand
- Colors: Black or White, other colors on demand.
- Easy assembly with a complete set of accessories, to order to suit each configuration



Installation

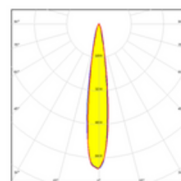


Dimensions

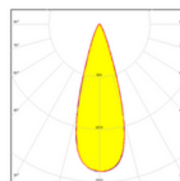
LIST OF ARTICLES

- TP30-01 TP-30 Main Profile
- TP30-02 Pair of End Caps
- TP30-03 Suspension Bracket
- TP01-09 Suspension Kit
- TP21-05-2500 Cover PMMA for the UP

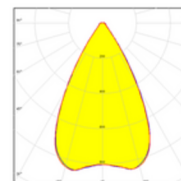
LEDiL DALINE-10 BEAMS:



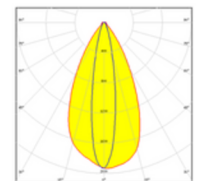
DALINE-10-M



DALINE-10-W



DALINE-10-WW



DALINE-10-O

