

Aluminium Track Light Housing

Product Description :

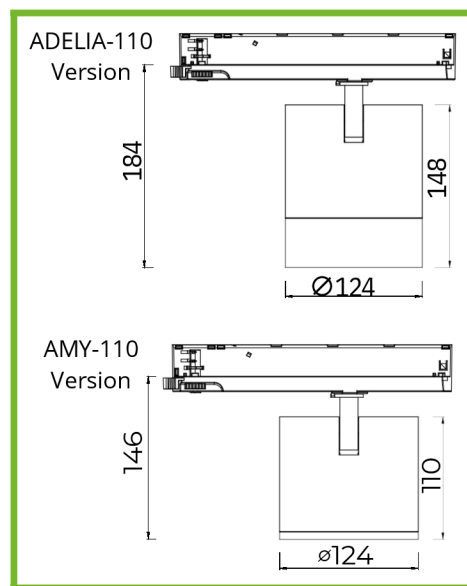
- Cold forged with 1070 aluminium alloy
- Compatible with LEDIL/BJB Zhaga COB holder
- Compatible with LEDIL AMY-110 and ADELIA-110
- Colors: White, Black, and other colors on demand
- Maximum power: 50W
- Logo and engraving can be added
- Customizable
- Diameter: 124 mm
- Luminaire compatible with In-Track drivers.
- Accessories: Front Glass for Adelia-110 Version
- Supplied with a carton, a 2 cable wire in a sleeve to connect to the driver



ADELIA-110
Version



AMY-110
Version

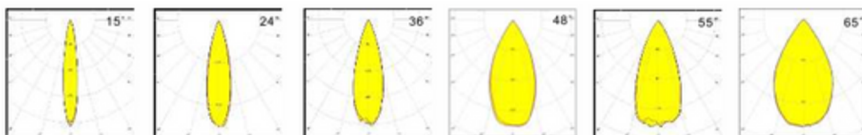


Dimensions

Ordering codes

- L01-B124-WH-NR BIG BEN spotlight housing white
- L01-B124-BK-NR BIG BEN spotlight housing black
- L01-B12426-WH BIG BEN Front ring for AMY-110 white
- L01-B12426-BK BIG BEN Front ring for AMY-110 black
- L01-B12427-WH BIG BEN Front ring for ADELIA-110 white
- L01-B12427-BK BIG BEN Front ring for ADELIA-110 black
- L01-B12427-GL BIG BEN Front Glass For ADELIA-110 Front Ring

LEDIL ADELIA-110



LEDIL AMY-110

