



CC35W700-1050CG DALI

Constant Current Dimmable Driver

Model: CC35W700-1050CG DALI



Model	Output Current (230V Full Load)	Input Current (230V Full Load)	Input Power (230V Full Load)	Output Power Range	PF (Full Load)	Efficiency (Full Load)	Output Voltage
CC35W700-1050CG DALI	1050mA	0.2A	41W	35W	0.95	87%	3-40V

1. Parameters

category	Item	Technical Norm
Features	Output Type	Constant Current
	Dimming Type	DALI 2
	Dimming Range	Primary PUSH & DALI dimming: 2%-100%
	IP Grade	IP20
	Insulation Class	Class II
Input	Rated Input Voltage	220-240VAC
	Range of Input Voltage	198-264VAC
	DC Input Voltage range	176-276VDC
	Frequency	0/50/60Hz
	Input Current	≤0.22A (230VAC, full load)
	Input Power	≤41W (230VAC, full load)
	Power Factor	≥0.95 (230VAC, full load)
	THD	≤13% (230VAC, full load)
	No-load Power	≤1W
	Stand-by Power	≤0.5W(@230Vac when PUSH or DALI turn off)
	Inrush Current	<16A (Half current pulse width 100US) @230VAC
Connected quantity of 16A Breaker	40pcs/type B ;65pcs/type C @ 230Vac	
Output	Ripple requirement (Flickering or lickering-Free)	Flicker value: less than 2% for whole dimming range
	PSTLM	≤1
	SVM	≤0.4
	Output Voltage Range	3-40VDC
	No Load Voltage	55VDC Max.
	Output Current	700mA(3-40) 750mA(3-40) 800mA(3-40)

KGP Electronics GmbH
Hueckstraße 19
DE-58511 Lüdenscheid

		850mA(3-40) 900mA(3-38) 950mA(3-36) 1000mA(3-35) 1050mA(3-33)
	Constant current accuracy	±5%
	Full load output power	35W
	Efficiency	≥87% (230VAC, full load)
	Started Delay Time	≤1S (230VAC, full load)
Control Method	Primary PUSH dimming	Primary PUSH dimming (maximum lead length: 20M)
	DALI Dimming	Yes
Protection	Input over voltage protection	300V AC 50Hz / 60Hz 2h
	Output no-load protection	Yes, self-recovery (with query function)
	Output over-temperature protection	Yes, non-recoverable (with query function)
	Output short circuit protection	Yes, non-recoverable (with query function)
Environment	Ta/Operation Temperature/ humidity	-25+50 °C, Humidity:85% (Non-condensing)
	Ts/Storage Temperature	-40 °C... + 80 °C 10 ~ 95% RH (non-condensing)
	Tc/Enclosure Temperature	85 °C
Construction	Connection Method	Push-in Terminal
	Installation	Independent installation
	PRI Wire preparation	0.75-1.5mm ²
	SEC Wire preparation	0.75-1.5mm ²
	Dimension	With crimping cover:136*42.5*24mm;Fig A Without crimping cover: 96*42.5*24mm;Fig B
Standards	Certification	ENEC CE
	Safety Standards	EN61347-1, EN61347-2-13,EN62493,EN60598-1
	EMC Standards	EN55015 EN61547 EN61000-3-2 EN61000-3-3
	DALI protocol standard	IEC62386-102 IEC62386-207
	Surge	L-N/1KV (L/N)-PE/2KV
Others	RoHS	complied to 2011/65/EU
	Blackout memory function	Yes, PUSH blackout memory
	PUSH Dimming synchronization	15 units Max.
	Packaging requirement	white box+ Instructions Clapboard Outer Carton (K=A)
	Life Time	50000h @Ta/Tc
	Warranty	5years , F.R. < 10000ppm

Remark: 1.All Parameters, if not specified, are measured at 230VAC/50Hz and 25°C ambient temperature.
2. LED Driver is a component of the luminaires,Luminaires and wire layout will affect the EMC, please check the EMC with end products again.

2. Label

KGP
KGP Electronics GmbH
Hueckstraße 19
DE-58511 Lüdenscheid

CC35W700-1050CG DALI
DALI Dimmable LED Driver

0.75-1.5
1.8mm

SEC +
I

L •tc Uin:220-240Vac Freq:50/60Hz

N Uo max: 55Vdc Po max.:35W

DA \sim PUSH ta: -25 ~ +50°C

DA \sim N PF: \geq 0.95

tc: 85°C

EN 14

Uo(Vdc)	mA	1	2	3
3-40	700	—	—	—
3-40	750	ON	—	—
3-40	800	—	ON	—
3-40	850	ON	ON	—
3-38	900	—	—	ON
3-36	950	ON	—	ON
3-35	1000	—	ON	ON
3-33	1050	ON	ON	ON

SELV

3.Dimension (Unit: mm)

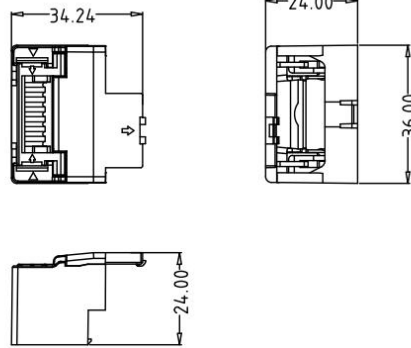
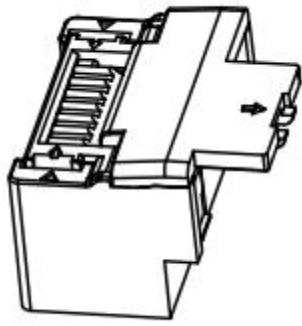
Technical drawings of the CC35W700-1050CG DALI LED driver showing dimensions in millimeters:

- Top View (A):** Overall width 96.00 mm, mounting hole offset 89.50 mm, component height 36.00 mm, and total height 42.50 mm.
- Side View (B):** Overall length 136.00 mm.
- Detail View:** Mounting hole diameter $\phi 3.00$ mm and component width 24.00 mm.

4.Strain-relief set 34.24x36mm

KGP Electronics GmbH
Hueckstraße 19
DE-58511 Lüdenscheid

KGP-V0.01

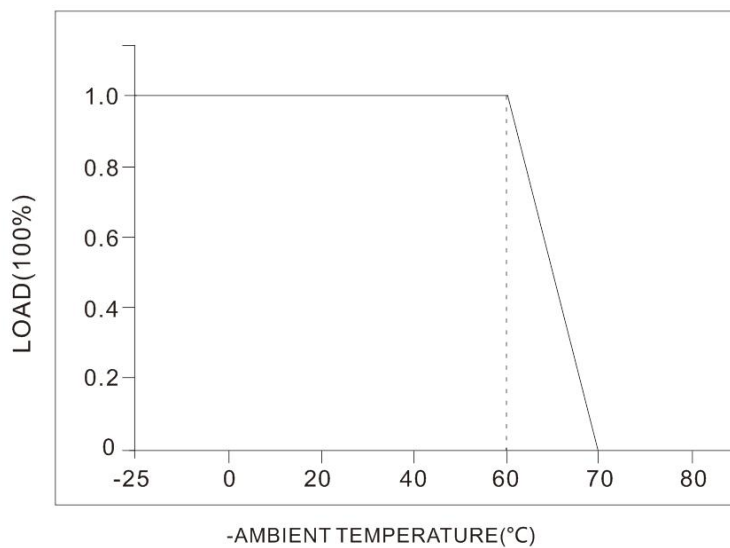


pre-assembled(1 set in one PE bag) 600 set/carton

5.Packing information

Carton L*W*H(mm)	Pcs/Carton	Net weight/ Pcs(kg)	Net weight/ Carton(kg)	Gross weight / Carton(kg)	Item
240*185*150	50	0.14	7	7.35	Driver
525*235*540	600	0.01	11	12.25	Strain-relief

6.Derating



7.Wiring Diagram

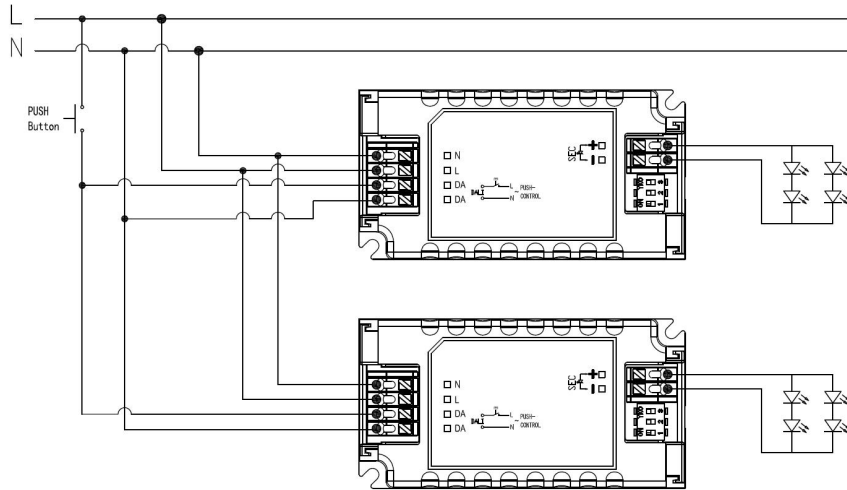


Fig. A: Push Dimming (High voltage)

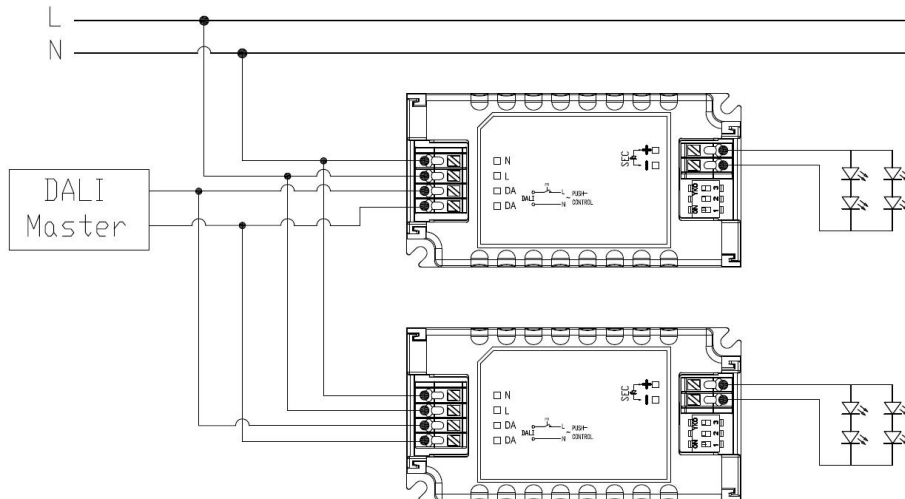
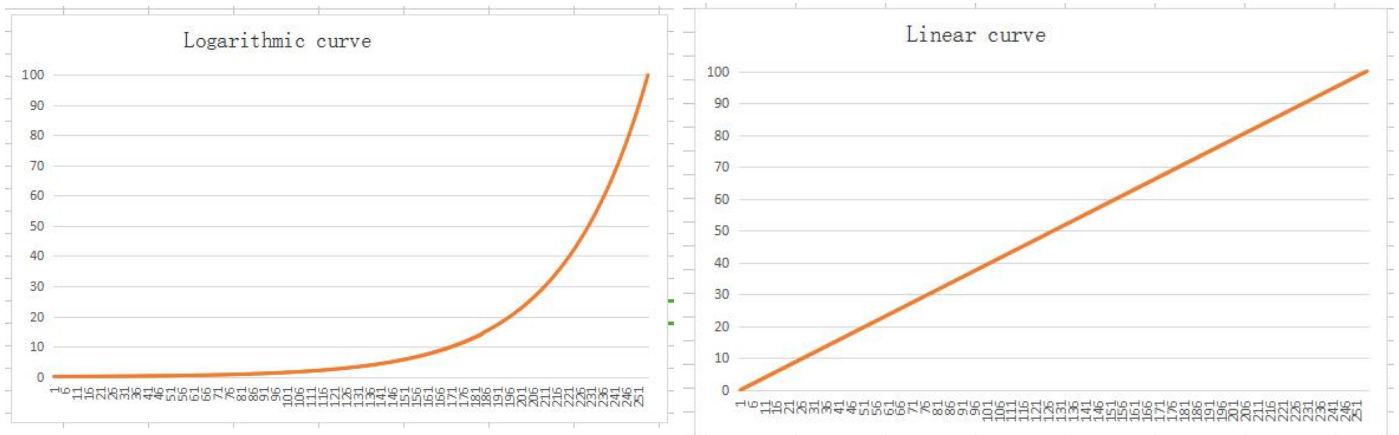


Fig.B: DALI Dimming

8. Dimming curve



9.Current gear setting

Current / voltage gear setting	1	2	3
700mA	-	-	-
750mA	ON	-	-
800mA	-	ON	-
850mA	ON	ON	-
900mA	-	-	ON
950mA	ON	-	ON
1000mA	-	ON	ON
1050mA	ON	ON	ON

CC35W700-1050CG DALI