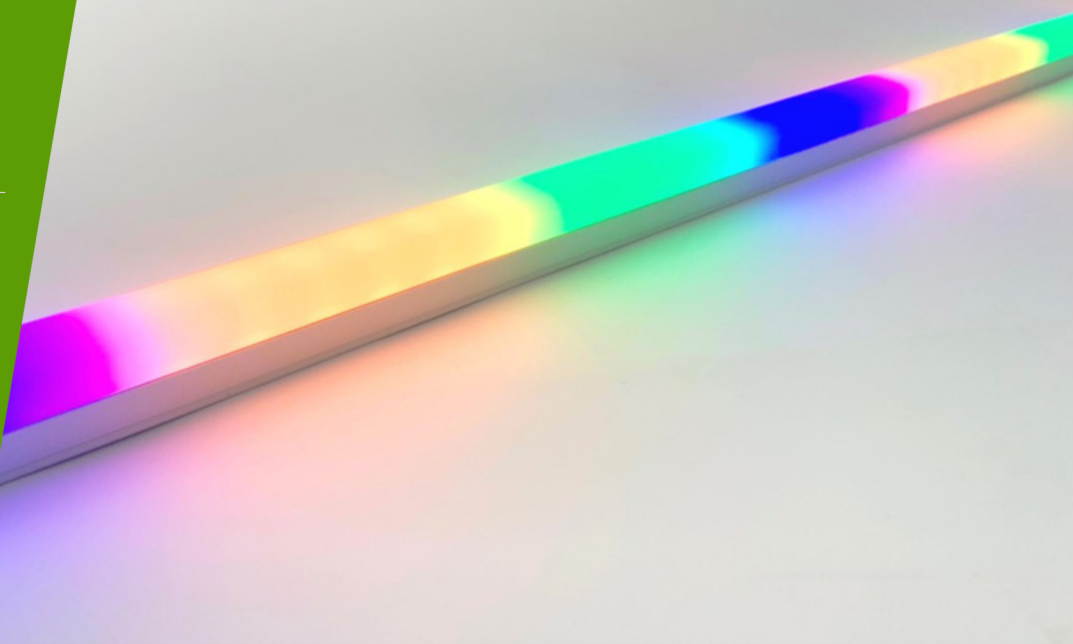
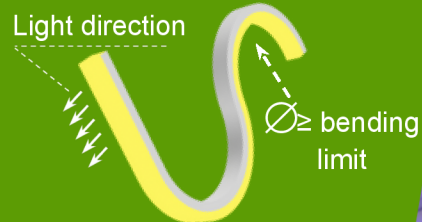


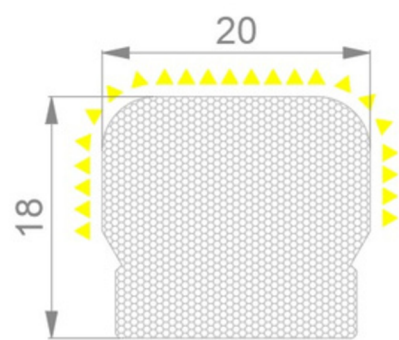
NEON 2018 2D V

W: 20mm
x
H: 18mm

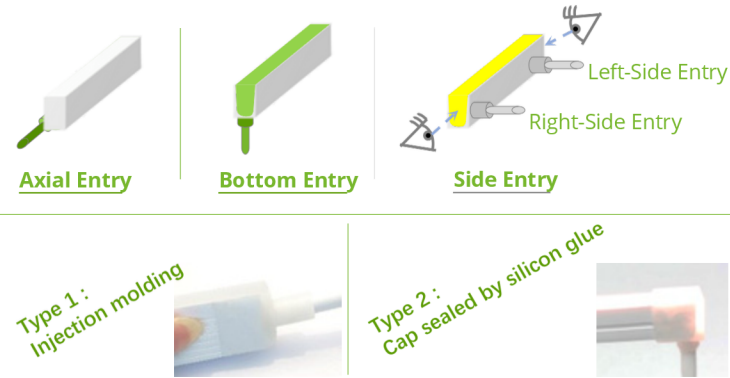
Vertical Bending



Cross Section

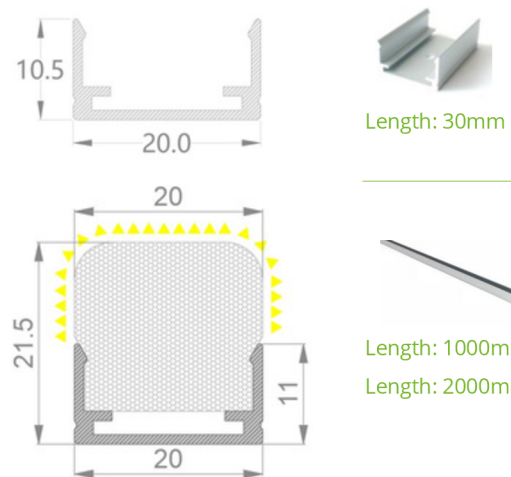


End Processing

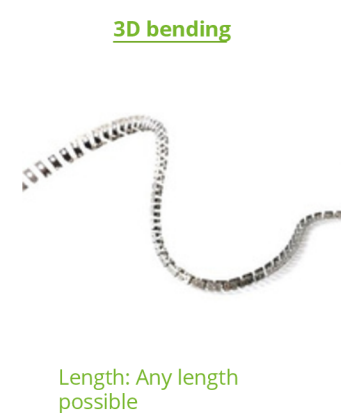


Mounting Accessory

Aluminum Channel



Stainless Steel Channel



Parameter

NEON 2018 2D V-Mono White

※ 1800K, 2100K, 2400K, 5000K available

Item Code	CRI	Power /m	2700K	3000K	4000K	6500K	Max-Load @Single feed	Input	Cut-unit	Bending Limit	IP Rate
	Ra≥90	5 W	368 lm	396 lm	416 lm	412 lm	25 m	DC24V	50mm	φ≥300mm	IP68
	Ra≥90	12 W	850 lm	914 lm	960 lm	950 lm	15 m	DC24V	50mm	φ≥300mm	IP68
	Ra≥90	12 W	968 lm	1052 lm	1073 lm	1104 lm	16 m	DC24V	50mm	φ≥300mm	IP68
	Ra≥90	13.5 W	1447 lm	1573 lm	1605 lm	1589 lm	5 m	DC24V	62.5mm	φ≥300mm	IP68
	Ra≥90	5 W	340 lm	343 lm	377 lm	374 lm	12.5 m	DC24V	Free Cut	φ≥300mm	IP68
	Ra≥90	12 W	784 lm	792 lm	871 lm	863 lm	8 m	DC24V	Free Cut	φ≥300mm	IP68
	Ra≥90	3 W	216 lm	232 lm	244 lm	242 lm	70 m	DC48V	167mm	φ≥300mm	IP68
	Ra≥90	6 W	432 lm	464 lm	488 lm	483 lm	40 m	DC48V	167mm	φ≥300mm	IP68

NEON 2018 2D V-Dynamic White

※ Other color range available

Item Code	CRI	Power /m	Max	2700K ~ 6500K	Max-Load @Single feed	Input	Cut-unit	Bending Limit	IP Rate	
	Ra≥90	2x 9.6 W	760 lm	680 lm	760 lm	7 m	DC24V	62.5mm	φ≥300mm	IP68
	Ra≥90	2x 10 W	1212 lm	1084 lm	1212 lm	4 m	DC24V	83.3mm	φ≥300mm	IP68
	Ra≥90	2x 13 W	1576 lm	1409 lm	1576 lm	3 m	DC24V	83.3mm	φ≥300mm	IP68

NEON 2018 2D V -Dim To Warm

※ Other color range available

Item Code	CRI	Power /m	3000K	1800K	Max-Load @Single feed	Input	Cut-unit	Bending Limit	IP Rate
	Ra≥95	12W	670 lm	/ lm	5 m	DC24V	62.5mm	φ≥300mm	IP68
	Ra≥95	14W	780 lm	/ lm	5 m	DC24V	83.3mm	φ≥300mm	IP68
	Ra≥95	12W	670 lm	/ lm	5 m	DC24V	62.5mm	φ≥300mm	IP68

NEON 2018 2D V-RGB & RGBW @ Perfect "White Balance"

※ White option: 2700K, 3000K, 4000K, ...

Item Code	Power /m	Full Load	= Red 4W	+Green 4W	+ Blue 4W	+ 3000K 4W@Single feed	Max-Load @Single feed	Input	Cut-unit	Bending Limit	IP Rate
	12 W	519 lm	122 lm	323 lm	74 lm	/	15 m	DC24V	100mm	φ≥300mm	IP68
	16 W	823 lm	122 lm	323 lm	74 lm	304 lm	11 m	DC24V	100mm	φ≥300mm	IP68

NEON 2018 2D V -Pixel DMX512

※ Control signal: DMX+(A), DMX-(B)

Item Code	Color	Pixel	DMX Addr.	Power /m	Lumen Flux	Max-Load @Single feed	Input	Cut-unit	Bending Limit	IP Rate
	Mono	10pix/m	10x Addr.	13.5 W	914 lm @3000K-Ra90+	7 m	DC24V	100mm	φ≥300mm	IP68
	Dynamic	10pix/m	20x Addr.	13.5 W	425 lm @ 2700K 480 lm @ 6500K 905 lm @ Full	7 m	DC24V	100mm	φ≥300mm	IP68
	RGB	2pix/m	6x Addr.	14 W	84 lm @ Red 224 lm @ Green 51 lm @ Blue	7 m	DC24V	500mm	φ≥300mm	IP68
	RGB	10pix/m	30x Addr.	14 W	359lm @ Full	7 m	DC24V	100mm	φ≥300mm	IP68
	RGBW	10pix/m	40x Addr.	16 W	61 lm @ Red 161 lm @ Green 37 lm @ Blue 152 lm @ 3000K 411 lm @ Full	7 m	DC24V	100mm	φ≥300mm	IP68