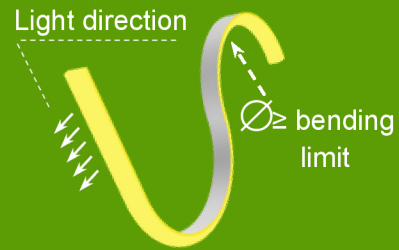


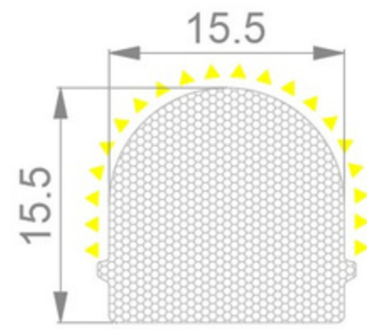
NVD1615

W: 15.5mm
x
H: 15.5mm

Vertical Bending



Cross Section

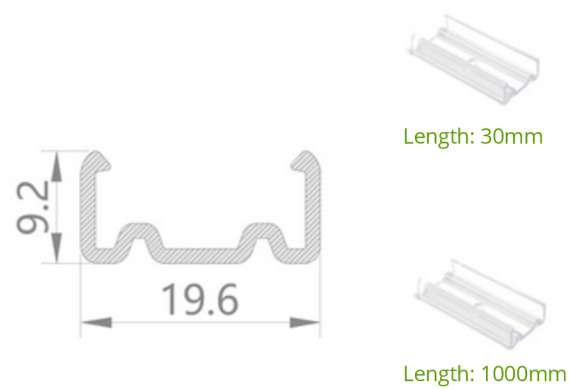


End Processing



Mounting Accessory

Transparent Channel



Parameter

NEON 1615 2D V-Mono White

※ 1800K, 2100K, 2400K, 5000K available

Item Code	CRI	Power /m	2700K	3000K	4000K	6500K	Max-Load @Single feed	Input	Cut-unit	Bending Limit	IP Rate
	Ra≥90	5 W	341 lm	367 lm	386 lm	382 lm	25 m	DC24V	50mm	∅≥120mm	IP67
	Ra≥90	12 W	788 lm	848 lm	890 lm	882 lm	15 m	DC24V	50mm	∅≥120mm	IP67
	Ra≥90	12 W	898 lm	976 lm	995 lm	1025 lm	16 m	DC24V	50mm	∅≥120mm	IP67
	Ra≥90	13.5 W	1343 lm	1459 lm	1489 lm	1474 lm	5 m	DC24V	62.5mm	∅≥120mm	IP67
	Ra≥90	5 W	315 lm	318 lm	350 lm	347 lm	12.5 m	DC24V	Free Cut	∅≥120mm	IP67
	Ra≥90	12 W	727 lm	734 lm	808 lm	800 lm	8 m	DC24V	Free Cut	∅≥120mm	IP67

NEON 1615 2D V -Dynamic White

※ Other color range available

Item Code	CRI	Power /m	Max	2700K	~ 6500K	Max-Load @Single feed	Input	Cut-unit	Bending Limit	IP Rate
	Ra≥90	2x 9.6 W	705 lm	631 lm	705 lm	7 m	DC24V	62.5mm	∅≥120mm	IP67
	Ra≥90	2x 10 W	1124 lm	1006 lm	1124 lm	4 m	DC24V	83.3mm	∅≥120mm	IP67
	Ra≥90	2x 13 W	1462 lm	1307 lm	1462 lm	3 m	DC24V	83.3mm	∅≥120mm	IP67

NEON 1615 2D V-Dim To Warm

※ Other color range available

Item Code	CRI	Power /m	3000K	1800K	Max-Load @Single feed	Input	Cut-unit	Bending Limit	IP Rate
	Ra≥95	12W	620 lm	/ lm	5 m	DC24V	62.5mm	∅≥120mm	IP67
	Ra≥95	14W	725 lm	/ lm	5 m	DC24V	83.3mm	∅≥120mm	IP67
	Ra≥95	12W	620 lm	/ lm	5 m	DC24V	62.5mm	∅≥120mm	IP67

NEON 1615 2D V-RGB @ Perfect "White Balance"

Item Code	Power /m	Full Load	= Red 4W	+ Green 4W	+ Blue 4W	Max-Load @Single feed	Input	Cut-unit	Bending Limit	IP Rate
	12 W	529 lm	111 lm	343 lm	75 lm	7 m	DC24V	62.5mm	∅≥120mm	IP67