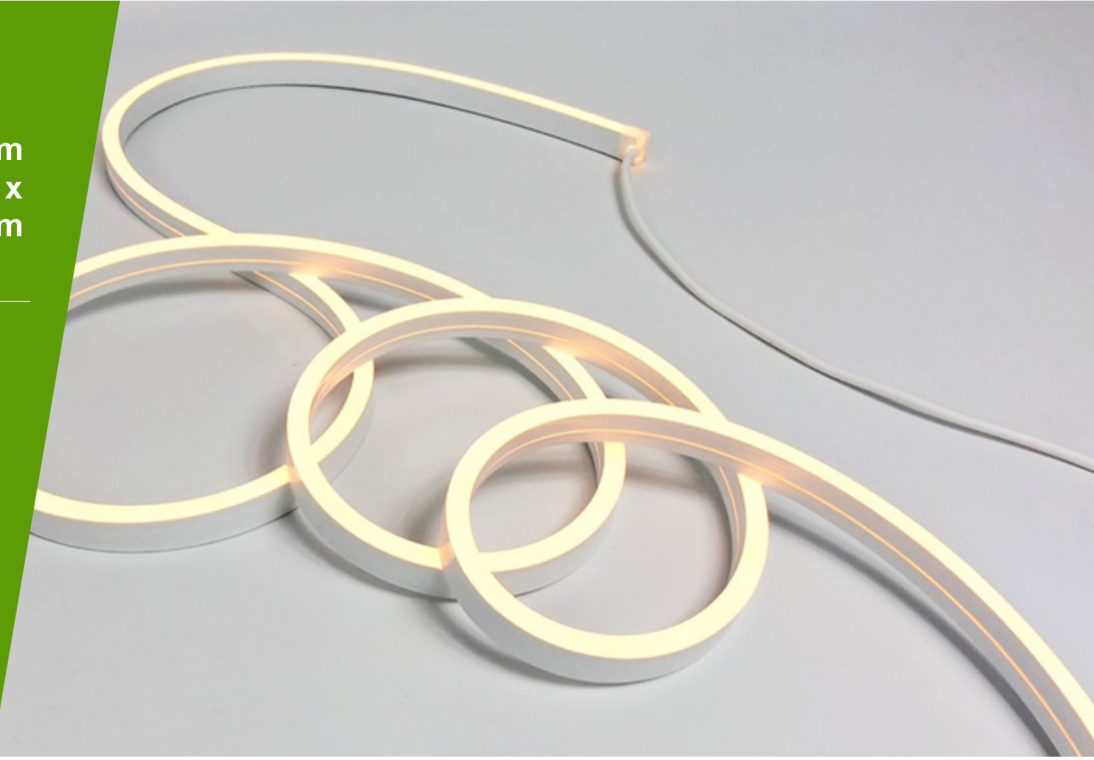
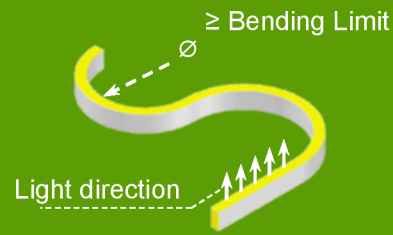
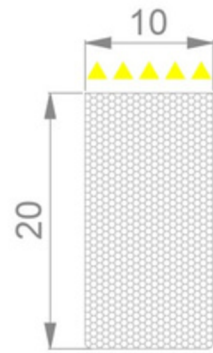


**NEON 1020**  
**2D** W: 10mm  
x  
H: 20mm

**Horizontal Bending**



**Cross Section**

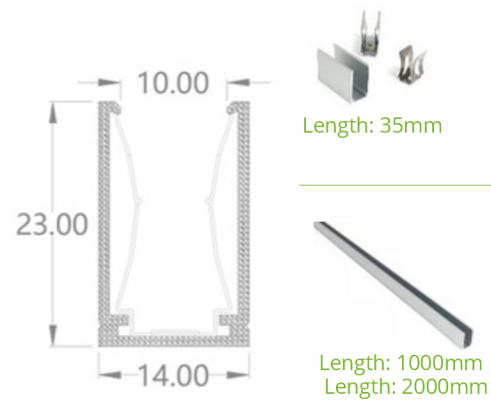


**End Processing**

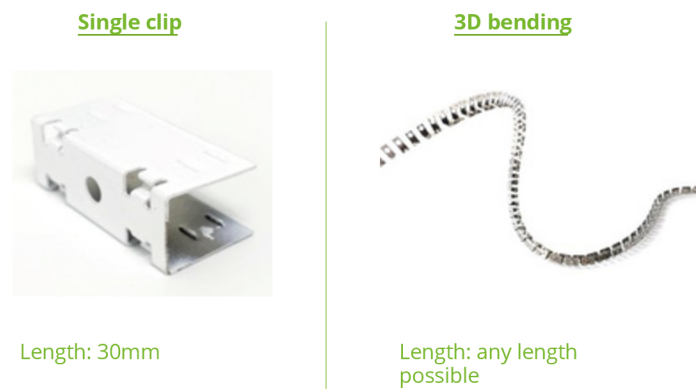


**Mounting Accessory**

**Aluminum Channel**



**Stainless Steel Channel**



**Parameter**

**NEON 1020 2D -Mono White**

※ 1800K, 2100K, 2400K, 5000K available

Item Code	CRI	Power /m	2700K	3000K	4000K	6500K	Max-Load @Single feed	Input	Cut-unit	Bending Limit	IP Rate
	Ra≥90	5 W	151 lm	162 lm	170 lm	168 lm	25 m	DC24V	50mm	φ≥120mm	IP68
	Ra≥90	12 W	348 lm	374 lm	393 lm	389 lm	15 m	DC24V	50mm	φ≥120mm	IP68
	Ra≥90	12 W	396 lm	430 lm	439 lm	452 lm	16 m	DC24V	50mm	φ≥120mm	IP68
	Ra≥90	13.5 W	592 lm	644 lm	657 lm	650 lm	5 m	DC24V	62.5mm	φ≥120mm	IP68
	Ra≥90	5 W	139 lm	140 lm	154 lm	153 lm	12.5 m	DC24V	Free Cut	φ≥120mm	IP68
	Ra≥90	12 W	321 lm	324 lm	356 lm	353 lm	8 m	DC24V	Free Cut	φ≥120mm	IP68
	Ra≥90	3 W	88 lm	95 lm	100 lm	99 lm	70 m	DC48V	167mm	φ≥120mm	IP68
	Ra≥90	6 W	177 lm	190 lm	200 lm	198 lm	40 m	DC48V	167mm	φ≥120mm	IP68

**NEON 1020 2D - Dynamic White**

※ Other color range available

Item Code	CRI	Power /m	Max	2700K ~ 6500K	Max-Load @Single feed	Input	Cut-unit	Bending Limit	IP Rate	
	Ra≥90	2x 9.6 W	311 lm	278 lm	311 lm	7 m	DC24V	62.5mm	φ≥120mm	IP68
	Ra≥90	2x 10 W	496 lm	444 lm	496 lm	4 m	DC24V	83.3mm	φ≥120mm	IP68
	Ra≥90	2x 13 W	645 lm	577 lm	645 lm	3 m	DC24V	83.3mm	φ≥120mm	IP68

**NEON 1020 2D -Dim To Warm**

※ Other color range available

Item Code	CRI	Power /m	3000K	1800K	Max-Load @Single feed	Input	Cut-unit	Bending Limit	IP Rate
	Ra≥95	12W	275 lm	/ lm	5 m	DC24V	62.5mm	φ≥120mm	IP68
	Ra≥95	14W	320 lm	/ lm	5 m	DC24V	83.3mm	φ≥120mm	IP68
	Ra≥95	12W	275 lm	/ lm	5 m	DC24V	62.5mm	φ≥120mm	IP68

**NEON 1020 2D- RGB & RGBW @ Perfect "White Balance"**

※ White option: 2700K, 3000K, 4000K, ...

Item Code	Power /m	Full Load	= Red 4W	+Green 4W	+ Blue 4W + 3000K 4W	Max-Load @Single feed	Input	Cut-unit	Bending Limit	IP Rate	
	12 W	212 lm	50 lm	132 lm	30 lm	/	15 m	DC24V	100mm	φ≥300mm	IP68
	16 W	336 lm	50 lm	132 lm	30 lm	124 lm	11 m	DC24V	100mm	φ≥300mm	IP68

**NEON 1020 2D-Pixel DMX512**

※ Control signal: DMX+(A), DMX-(B)

Item Code	Color	Pixel	DMX Addr.	Power /m	Lumen Flux	Max-Load @Single feed	Input	Cut-unit	Bending Limit	IP Rate
	Mono	10pix/m	10x Addr.	13.5 W	374 lm @3000K-Ra90+	7 m	DC24V	100mm	φ≥300mm	IP68
	Dynamic	10pix/m	20x Addr.	13.5 W	174 lm @ 2700K 196 lm @ 6500K 370 lm @ Full	7 m	DC24V	100mm	φ≥300mm	IP68
	RGB	2pix/m	6x Addr.	14 W	34 lm @ Red 92 lm @ Green 21 lm @ Blue	7 m	DC24V	500mm	φ≥300mm	IP68
	RGB	10pix/m	30x Addr.	14 W	147 lm @ Full	7 m	DC24V	100mm	φ≥300mm	IP68
	RGBW	10pix/m	40x Addr.	16 W	25 lm @ Red 66 lm @ Green 15 lm @ Blue 62 lm @ 3000K 168 lm @ Full	7 m	DC24V	100mm	φ≥300mm	IP68