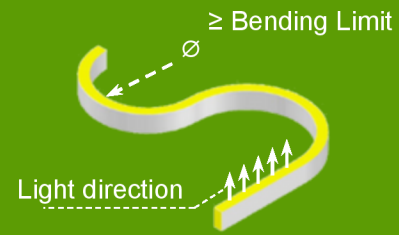


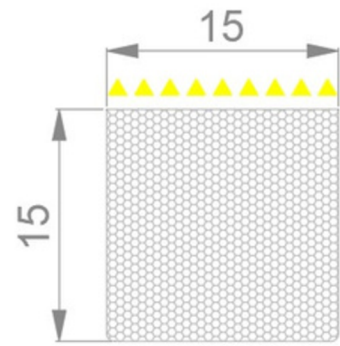
NEON 1515 2D

W: 15mm
x
H: 15mm

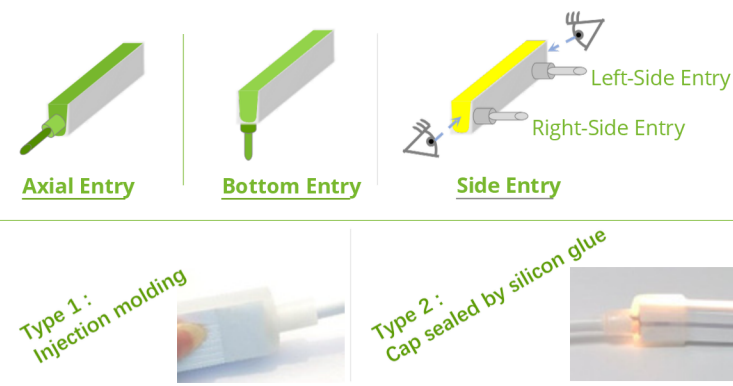
Horizontal Bending



Cross Section

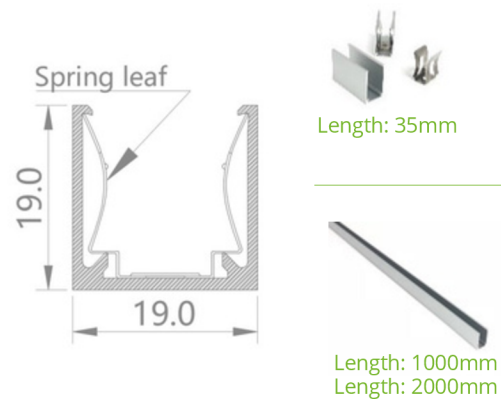


End Processing



Mounting Accessory

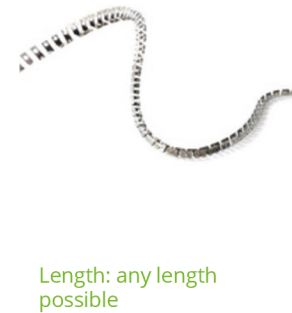
Aluminum Channel



Stainless Steel Channel



3D bending



Parameter

NEON 1515 2D -Mono White

※ 1800K, 2100K, 2400K, 5000K available

Item Code	CRI	Power /m	2700K	3000K	4000K	6500K	Max-Load @Single feed	Input	Cut-unit	Bending Limit	IP Rate
	Ra≥90	5 W	301 lm	324 lm	340 lm	337 lm	25 m	DC24V	50mm	∅≥250mm	IP67
	Ra≥90	12 W	696 lm	748 lm	785 lm	778 lm	15 m	DC24V	50mm	∅≥250mm	IP67
	Ra≥90	12 W	792 lm	861 lm	878 lm	904 lm	16 m	DC24V	50mm	∅≥250mm	IP67
	Ra≥90	13.5 W	1185 lm	1288 lm	1314 lm	1301 lm	5 m	DC24V	62.5mm	∅≥250mm	IP67
	Ra≥90	5 W	278 lm	281 lm	309 lm	306 lm	12.5 m	DC24V	Free Cut	∅≥250mm	IP67
	Ra≥90	12 W	642 lm	648 lm	713 lm	706 lm	8 m	DC24V	Free Cut	∅≥250mm	IP67

NEON 1515 2D-Dynamic White

※ Other color range available

Item Code	CRI	Power /m	Max	2700K ~ 6500K	Max-Load @Single feed	Input	Cut-unit	Bending Limit	IP Rate	
	Ra≥90	2x 9.6 W	622 lm	557 lm	622 lm	7 m	DC24V	62.5mm	∅≥250mm	IP67
	Ra≥90	2x 10 W	992 lm	887 lm	992 lm	4 m	DC24V	83.3mm	∅≥250mm	IP67
	Ra≥90	2x 13 W	1290 lm	1153 lm	1290 lm	3 m	DC24V	83.3mm	∅≥250mm	IP67

NEON 1515 2D-Dim To Warm

※ Other color range available

Item Code	CRI	Power /m	3000K	1800K	Max-Load @Single feed	Input	Cut-unit	Bending Limit	IP Rate
	Ra≥95	12W	455 lm	/ lm	5 m	DC24V	62.5mm	∅≥300mm	IP67
	Ra≥95	12W	455 lm	/ lm	5 m	DC24V	62.5mm	∅≥300mm	IP67

NEON 1515 2D-RGB @ Perfect "White Balance"

Item Code	Power /m	Full Load	= Red 4W	+Green 4W	+ Blue 4W	Max-Load @Single feed	Input	Cut-unit	Bending Limit	IP Rate	
	12 W	466 lm	98 lm	302 lm	66 lm	/	7 m	DC24V	62.5mm	∅≥300mm	IP67