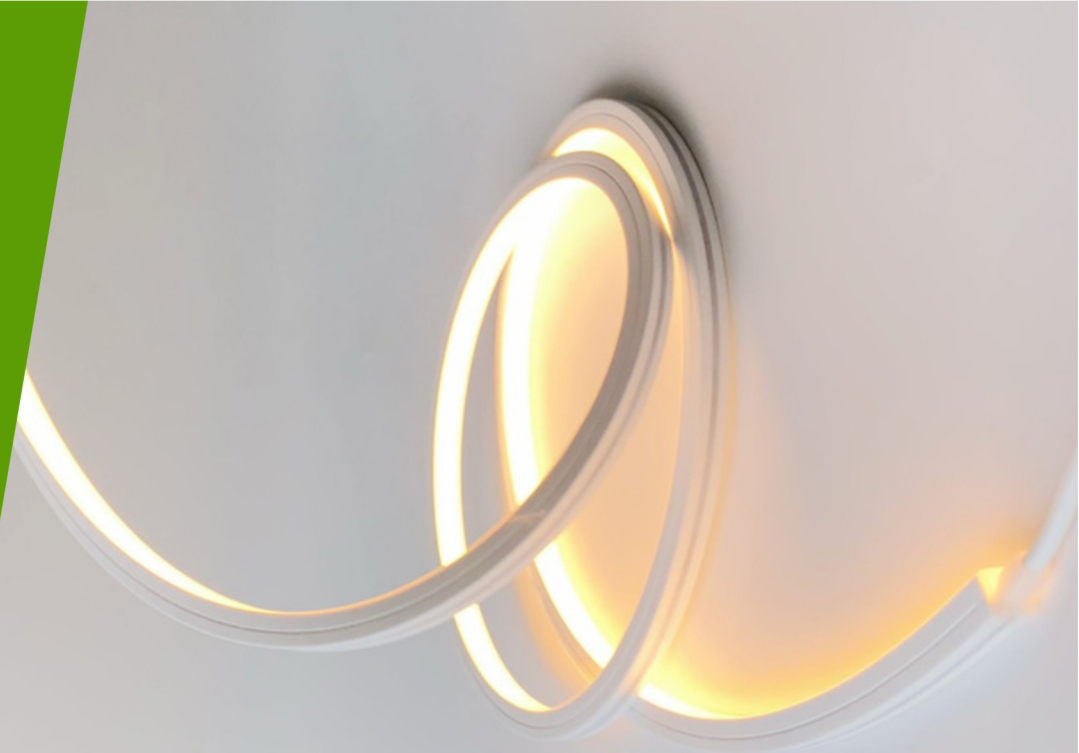
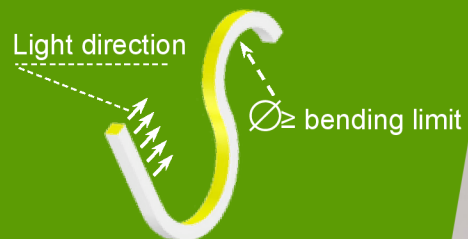


NEON 1010

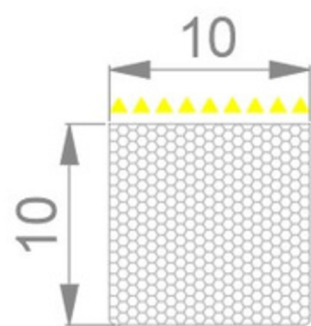
2D

W: 10mm
x
H: 10mm

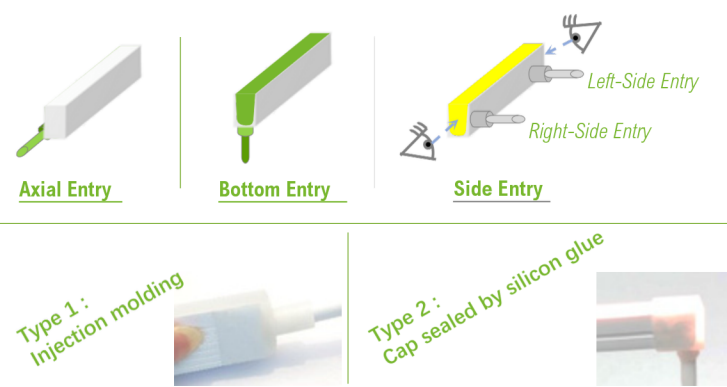
Vertical Bending



Cross Section

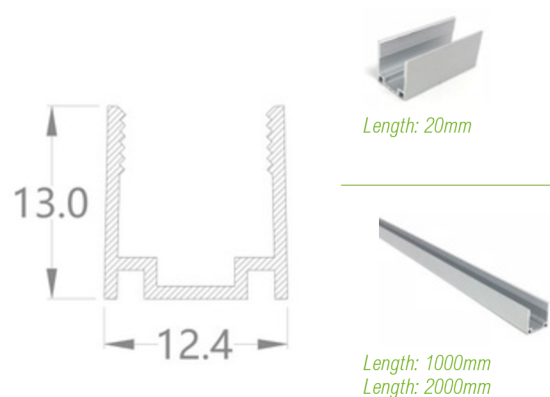


End Processing



Mounting Accessory

Aluminum Channel



Stainless Steel Channel



LIGHT & SMART

Parameter

Mono White

※ 1800K, 2100K, 2400K, 5000K available

Item Code	CRI	Power /m	2700K	3000K	4000K	6500K	Max-Load @Single feed ***	Input	Cut-unit	Bending Limit	IP Rate
	Ra≥90	5 W	331 lm	356 lm	374 lm	371 lm	20 m	DC24V	50mm	∅≥100mm	IP67
	Ra≥90	10 W	637 lm	685 lm	719 lm	712 lm	10 m	DC24V	50mm	∅≥100mm	IP67
	Ra≥90	10 W	729 lm	792 lm	808 lm	832 lm	15 m	DC24V	50mm	∅≥100mm	IP67
	Ra≥90	10 W	965 lm	1049 lm	1070 lm	1060 lm	7 m	DC24V	62.5mm	∅≥100mm	IP67
	Ra≥90	5 W	306 lm	309 lm	340 lm	337 lm	11 m	DC24V	Free Cut	∅≥100mm	IP67
	Ra≥90	10 W	596 lm	602 lm	662 lm	656 lm	7 m	DC24V	Free Cut	∅≥100mm	IP67

*** Note: Max load from single feed, as long as feed length does not exceed 6m.

Dynamic White

※ Other color range available

Item Code	CRI	Power /m	Max	2700K ~ 6500K	Max-Load @Single feed	Input	Cut-unit	Bending Limit	IP Rate	
	Ra≥90	2x 8 W	472 lm	453 lm	472 lm	5 m	DC24V	62.5mm	∅≥100mm	IP67

*** Note: Total Operating power must be within single channel max power

Dim To Warm

※ Other color range available

Item Code	CRI	Power /m	3000K	1800K	Max-Load @Single feed	Input	Cut-unit	Bending Limit	IP Rate
	Ra≥95	10W	525 lm	/ lm	5 m	DC24V	50mm	∅≥100mm	IP67

LIGHT & SMART

300 Avenue de l'Europe 77310 Saint Faergeau Ponthierry
SIRET : 84973112000028 N° de TVA : FR04849731120
contact@lightandsmart.com www.lightandsmart.com

