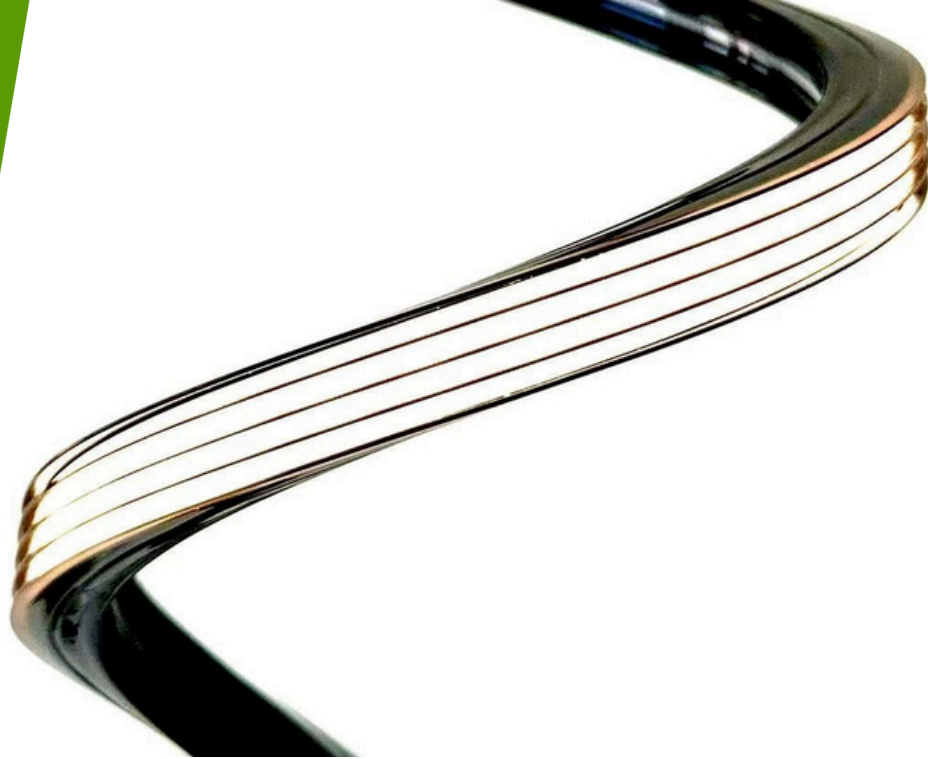
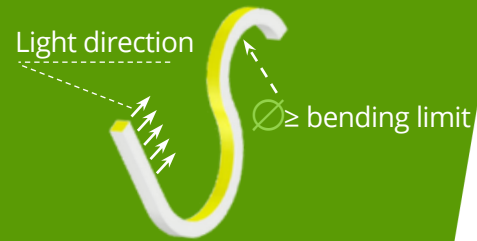


NEON LOUVRE

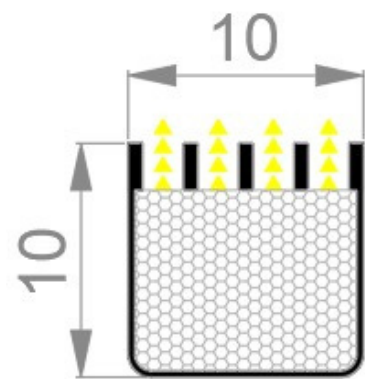
1010

W: 10mm
x
H: 10mm

Vertical Bending



Cross Section

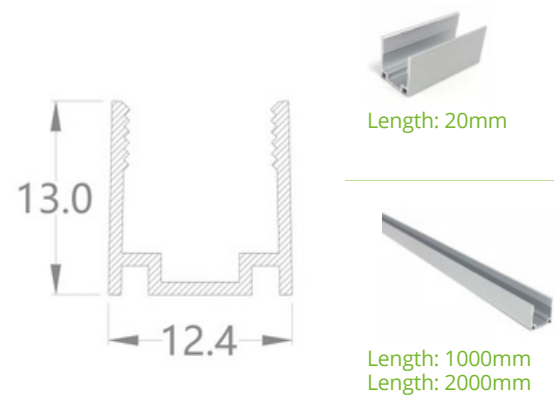


End Processing



Mounting Accessory

Aluminum Channel



Stainless Steel Channel



Parameter

Mono White

※ 1800K, 2100K, 2400K, 5000K available

	CRI	Power /m	2700K	3000K	4000K	6500K	Max-Load @Single feed	Input	Cut-unit	Bending Limit	IP Rate
	Ra≥90	5 W	118 lm	127 lm	134 lm	132 lm	20 m	DC24V	50mm	∅≥100mm	IP67
	Ra≥90	10 W	227 lm	245 lm	257 lm	254 lm	10 m	DC24V	50mm	∅≥100mm	IP67
	Ra≥90	10 W	260 lm	283 lm	289 lm	297 lm	15 m	DC24V	50mm	∅≥100mm	IP67
	Ra≥90	10 W	345 lm	375 lm	382 lm	379 lm	7 m	DC24V	62.5mm	∅≥100mm	IP67
	Ra≥90	5 W	109 lm	110 lm	121 lm	120 lm	11 m	DC24V	Free Cut	∅≥100mm	IP67
	Ra≥90	10 W	213 lm	215 lm	236 lm	234 lm	7 m	DC24V	Free Cut	∅≥100mm	IP67

Dynamic White

※ Other color range available

Item Code	CRI	Power /m	Max	2700K	~	6500K	Max-Load @Single feed	Input	Cut-unit	Bending Limit	IP Rate
	Ra≥90	2x 8 W	169 lm	162 lm		169 lm	6 m	DC24V	62.5mm	∅≥100mm	IP67

*** Note: Total Operating power must be within single channel max power.

NVB-Dim To Warm

※ Other color range available

Item Code	CRI	Power /m	3000K	1800K	Max-Load @Single feed	Input	Cut-unit	Bending Limit	IP Rate
	Ra≥95	10W	187 lm	/ lm	5 m	DC24V	50mm	∅≥100mm	IP67

