

## Parameter

### NEON 1010 3D -Mono White

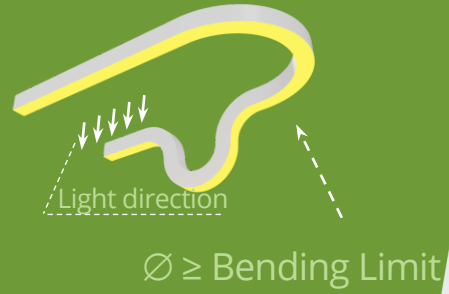
※ 1800K, 2200K, 2500K, 5000K available

| Item Code | CRI   | Power /m | 2700K  | 3000K  | 4000K  | 6500K  | Max-Load @Single feed | Input | Cut-unit | Bending Limit            | IP Rate |
|-----------|-------|----------|--------|--------|--------|--------|-----------------------|-------|----------|--------------------------|---------|
|           | Ra≥90 | 5 W      | 375 lm | 403 lm | 423 lm | 419 lm | 6 m                   | DC24V | 55.6mm   | VB Ø≥100mm<br>HB Ø≥150mm | IP67    |
|           | Ra≥90 | 10 W     | 750 lm | 807 lm | 847 lm | 839 lm | 4 m                   | DC24V | 55.6mm   | VB Ø≥100mm<br>HB Ø≥150mm | IP67    |
|           | Ra≥90 | 10 W     | 858 lm | 923 lm | 969 lm | 960 lm | 4 m                   | DC24V | 55.6mm   | VB Ø≥100mm<br>HB Ø≥150mm | IP67    |

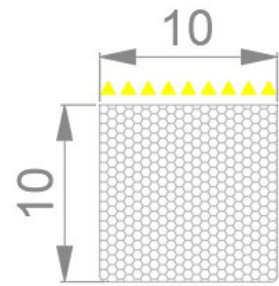
## NEON 1010 3D

W: 10mm  
x  
H: 10mm

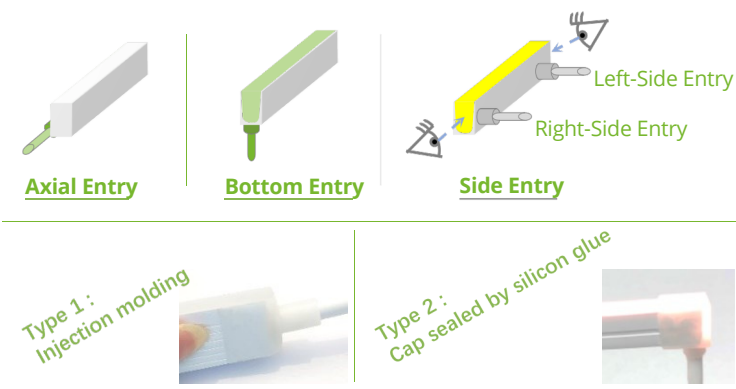
### 3D Bending



## Cross Section

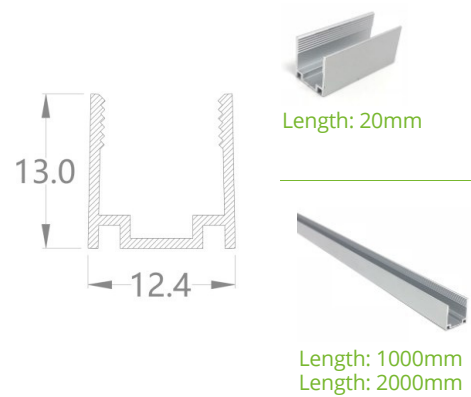


## End Processing



## Mounting Accessary

### Aluminum Channel



### Stainless Steel Channel

