



Aluminium Track Light Housing

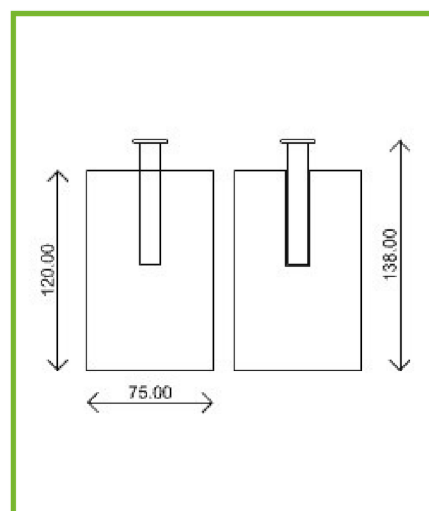
Product Description:

- Die Casted high thermal conduction aluminium housing
- Compatible with Zhaga COB holder, LEDiL, BJB, Others...
- Designed around most LEDiL single lense COB families, refer below.
- Colors: White, Black, and other colors on demand
- Maximum power: 40W
- Logo and engraving can be added
- Customizable
- Height of the optic mounting ring varies, refer to below
- Luminaire compatible with In-Track drivers.



Technical Details

- luminaire housing is always the same, pick and combine with the right ring for the right optic family.
- corresponding IES file for each optic available on the LEDiL website www.ledil.com
- optic rings can be customized
- add front ring dimensions to get total luminaire length



Dimensions without the front ring